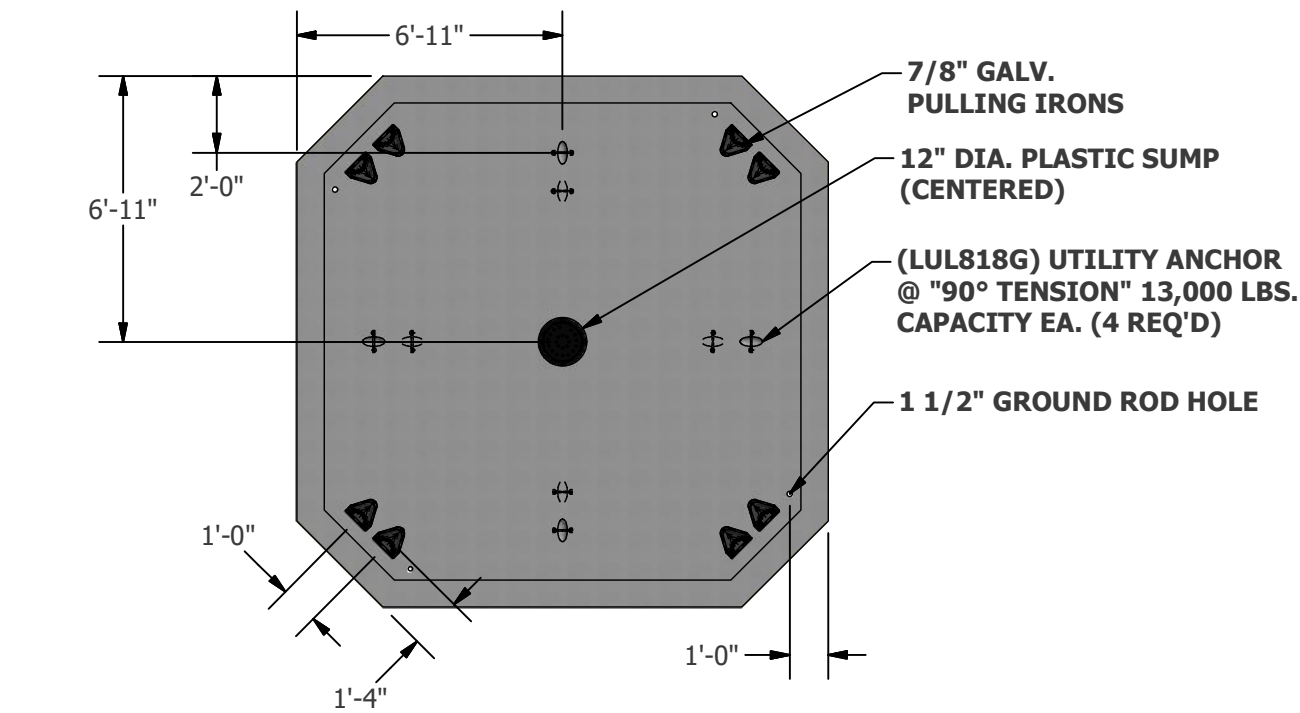
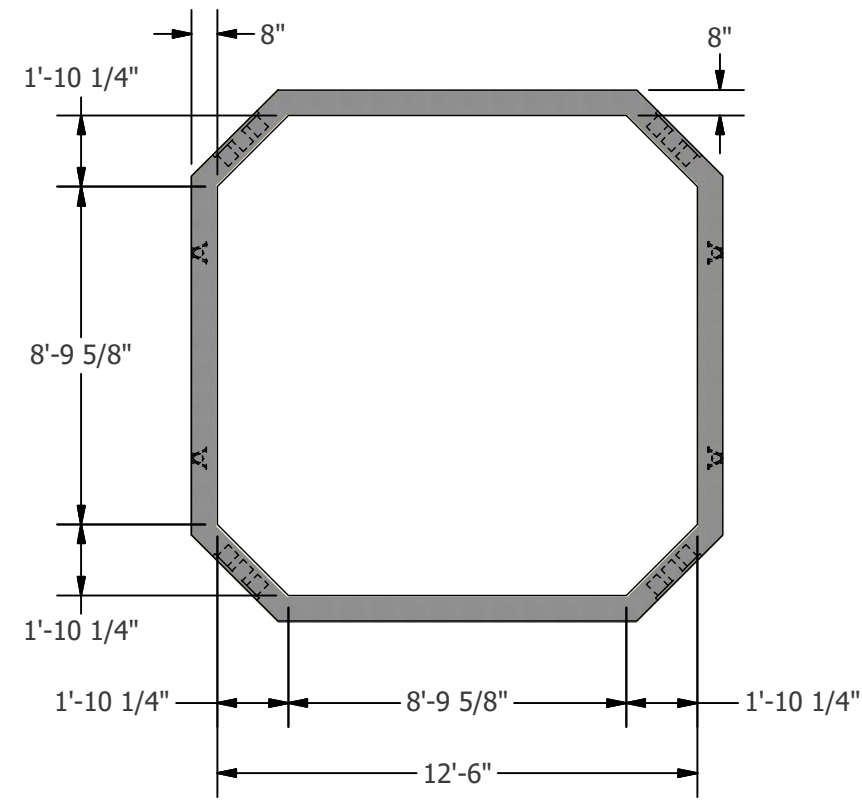


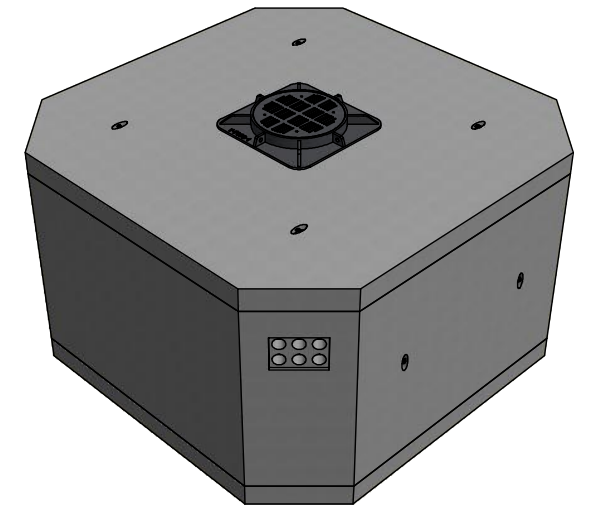
**(TOP SECTION)  
PLAN VIEW**



**(BASE SECTION)  
PLAN VIEW**



**(RISER SECTION)  
PLAN VIEW**



**NOTES:**

- 1) DESIGN CRITERIA IS MINIMUM USED UNLESS OTHERWISE SPECIFIED.
- 2) DESIGN LOADINGS:
  - A. AASHTO HS-20-44. W/ IMPACT.
  - B. SOIL WEIGHT = 120 PSF.
  - C. DEPTH OF OVERBURDEN 0'-0" MIN, 7'-0" MAX.
  - D. ASSUMED WATER TABLE 5'-0"
  - E. EQUIV. FLUID PRESSURE = 45 PCF.
  - F. 80 PSF. LATERAL LIVE LOAD SURCHARGE.
- 3) CONCRETE 28 DAY COMPRESSIVE STRENGTH SHALL BE 5500 PSI (MIN.)
- 4) STEEL REINFORCEMENT: REBAR, ASTM A-615 GRADE 60.
- 5) CEMENT: ASTM C-150 SPECIFICATIONS

Section	CYD	Weight
Top Section	5.2	20,950 Lbs.
Riser Section	7.7	30,900 Lbs.
Base Section	5.4	21,700 Lbs.

DASHED LINES REPRESENT HIDDEN EDGES

**DESCRIPTION**  
12'-10"x12'-10"x6'-9" Precast Concrete  
LG-4 WAY | CENTERPOINT MANHOLE

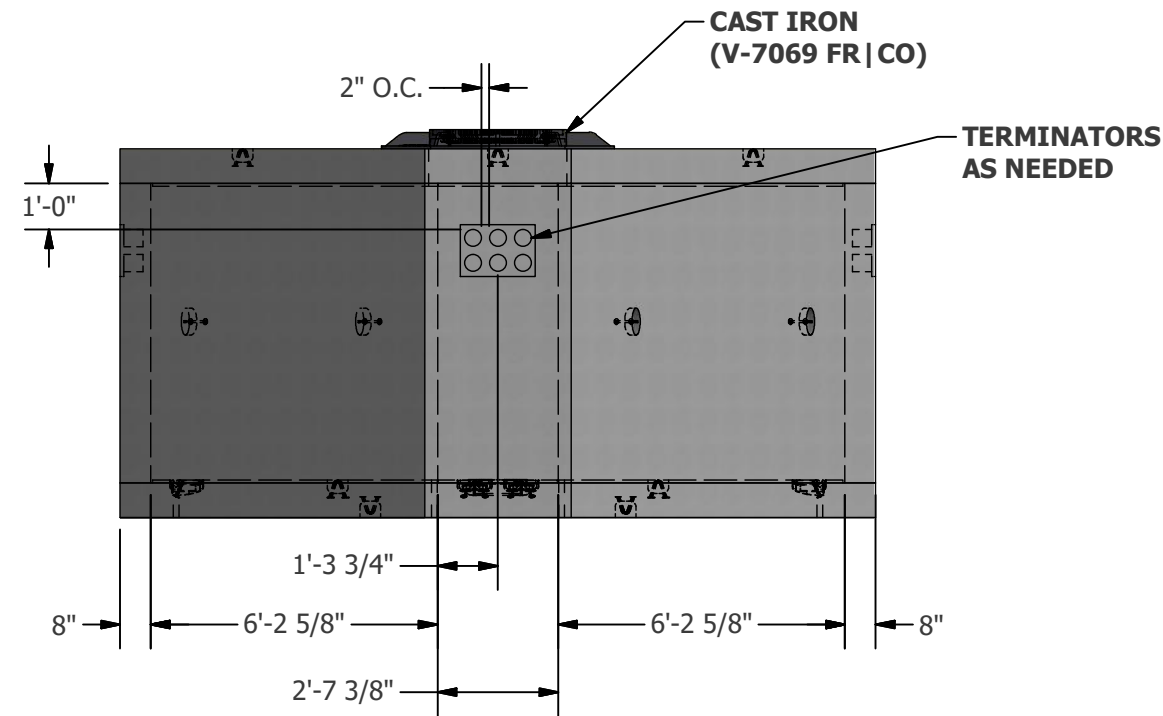
**PROJECT**

**CUSTOMER**

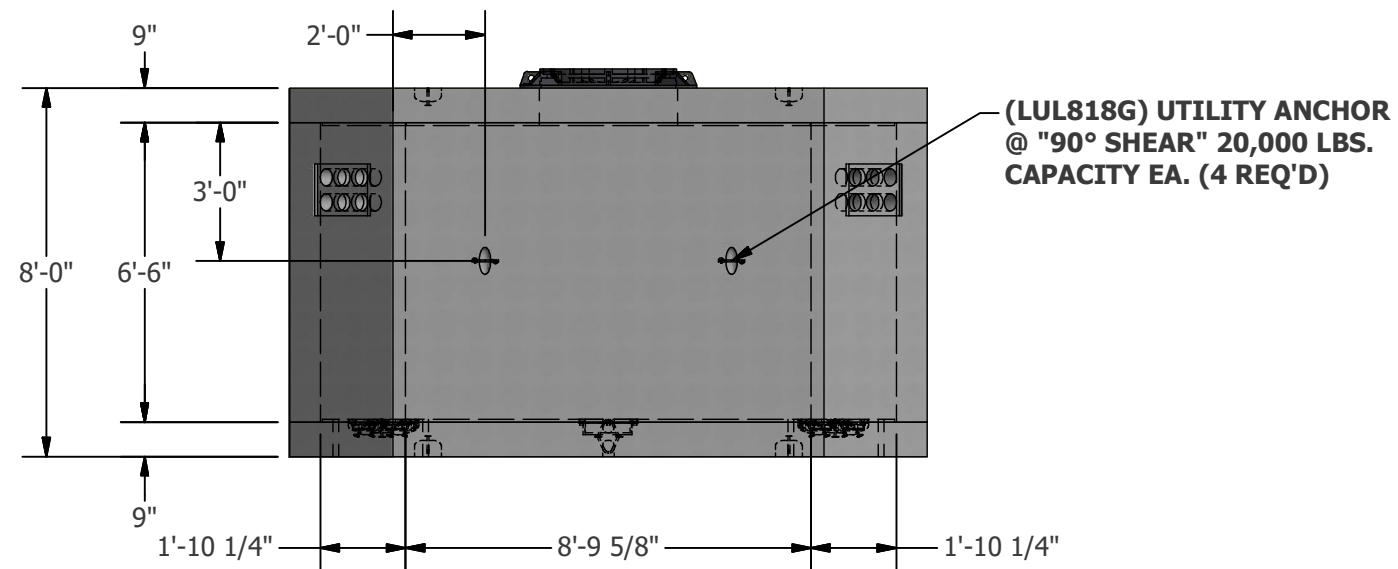


LIBERTY PRECAST  
18905 E. Industrial Pkwy  
New Caney, TX 77357

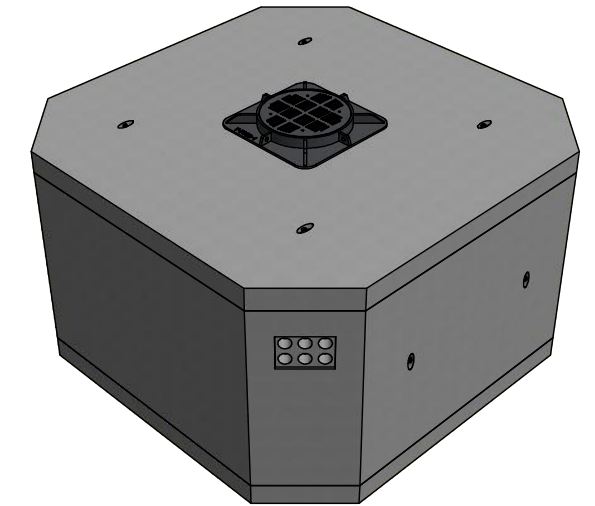
MODELED BY	DATE	REV	SHEET
Reydesel A.	4/26/2018	A	1 of 5



**(B|D|F|H)  
ELEVATION VIEW**



**(A|C|E|G)  
ELEVATION VIEW**



**NOTES:**

- 1) DESIGN CRITERIA IS MINIMUM USED UNLESS OTHERWISE SPECIFIED.
- 2) DESIGN LOADINGS:
  - A. AASHTO HS-20-44. W/ IMPACT.
  - B. SOIL WEIGHT = 120 PSF.
  - C. DEPTH OF OVERBURDEN 0'-0" MIN, 7'-0" MAX.
  - D. ASSUMED WATER TABLE 5'-0"
  - E. EQUIV. FLUID PRESSURE = 45 PCF.
  - F. 80 PSF. LATERAL LIVE LOAD SURCHARGE.
- 3) CONCRETE 28 DAY COMPRESSIVE STRENGTH SHALL BE 5500 PSI (MIN.)
- 4) STEEL REINFORCEMENT: REBAR, ASTM A-615 GRADE 60.
- 5) CEMENT: ASTM C-150 SPECIFICATIONS

Section	CYD	Weight
Top Section	5.2	20,950 Lbs.
Riser Section	7.7	30,900 Lbs.
Base Section	5.4	21,700 Lbs.

[DASHED LINES REPRESENT HIDDEN EDGES]

**DESCRIPTION**  
12'-10"x12'-10"x6'-9" Precast Concrete LG-4 WAY | CENTERPOINT MANHOLE

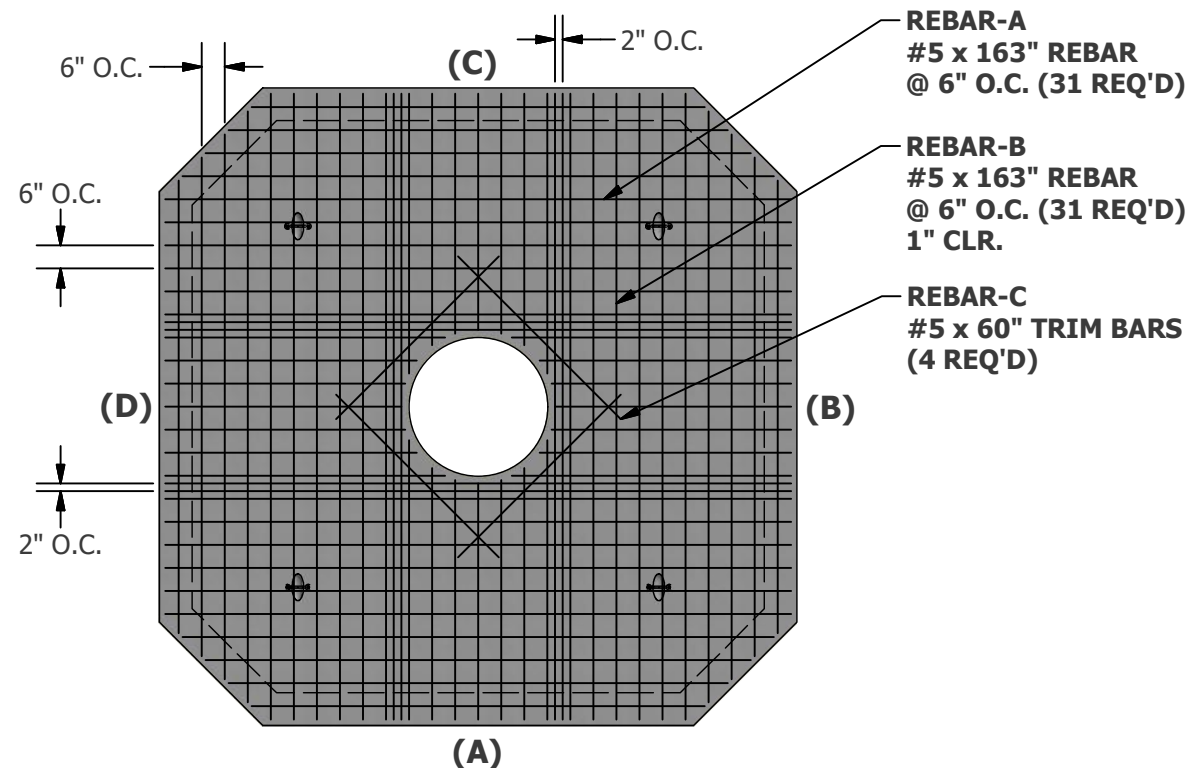
**PROJECT**

**CUSTOMER**

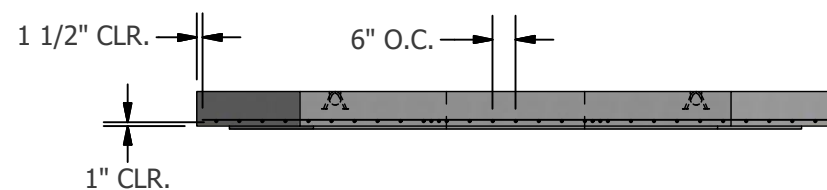


LIBERTY PRECAST  
18905 E. Industrial Pkwy  
New Caney, TX 77357

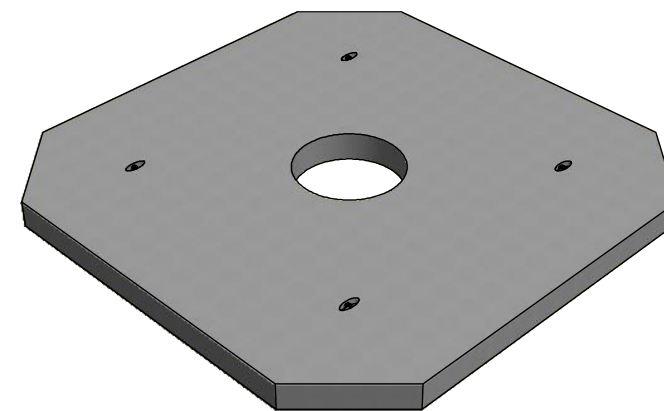
MODELED BY	DATE	REV	SHEET
Reydesel A.	4/26/2018	A	2 of 5



(TOP SECTION)  
PLAN VIEW



(ELEVATION VIEW)



**NOTES:**

- 1) DESIGN CRITERIA IS MINIMUM USED UNLESS OTHERWISE SPECIFIED.
- 2) DESIGN LOADINGS:
  - A. AASHTO HS-20-44. W/ IMPACT.
  - B. SOIL WEIGHT = 120 PSF.
  - C. DEPTH OF OVERBURDEN 0'-0" MIN, 7'-0" MAX.
  - D. ASSUMED WATER TABLE 5'-0"
  - E. EQUIV. FLUID PRESSURE = 45 PCF.
  - F. 80 PSF. LATERAL LIVE LOAD SURCHARGE.
- 3) CONCRETE 28 DAY COMPRESSIVE STRENGTH SHALL BE 5500 PSI (MIN.)
- 4) STEEL REINFORCEMENT: REBAR, ASTM A-615 GRADE 60.
- 5) CEMENT: ASTM C-150 SPECIFICATIONS

Section	#	Weight
Top Section	5	894.0 Lbs.

DASHED LINES REPRESENT HIDDEN EDGES

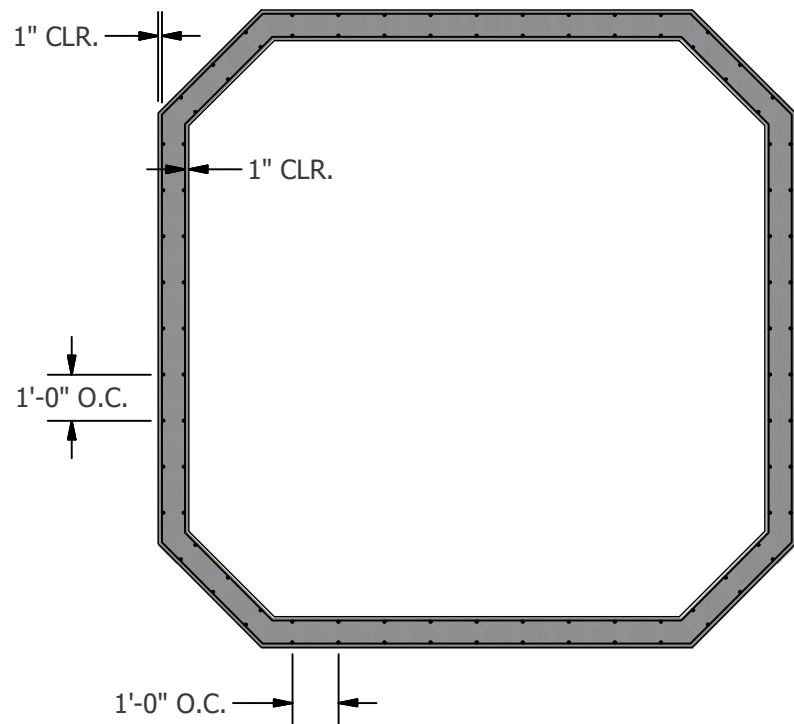
DESCRIPTION
12'-10"x12'-10"x6'-9" Precast Concrete LG-4 WAY   CENTERPOINT MANHOLE

PROJECT

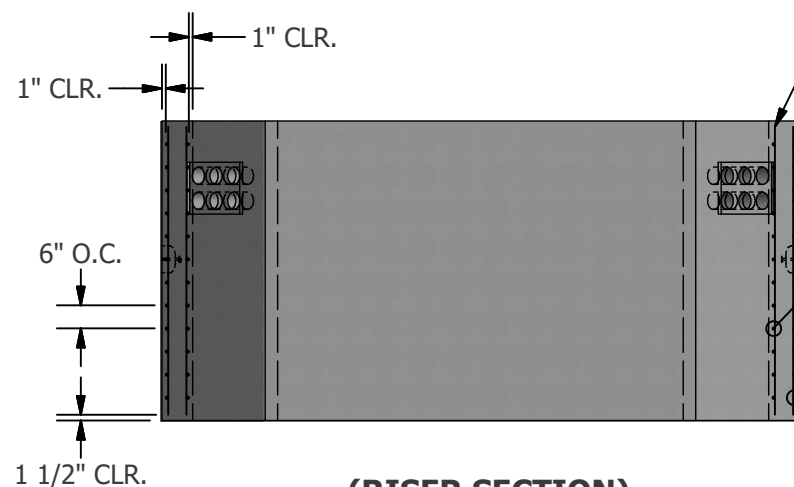
CUSTOMER

 LIBERTY PRECAST  
18905 E. Industrial Pkwy  
New Caney, TX 77357

MODELED BY	DATE	REV	SHEET
Reydesel A.	4/26/2018	A	3 of 5



**(RISER SECTION)  
PLAN VIEW**



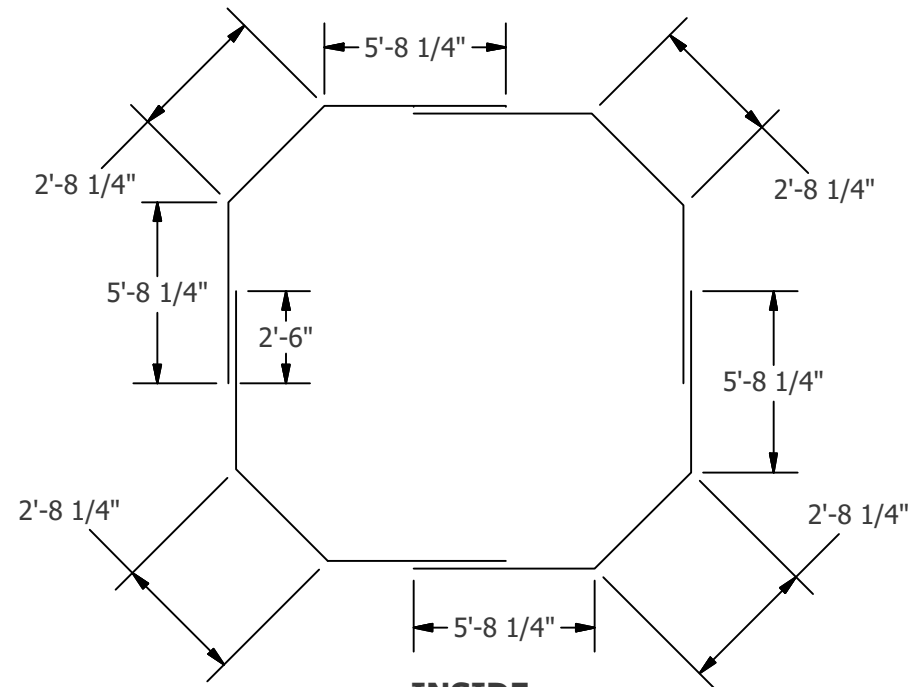
**(RISER SECTION)  
ELEVATION VIEW**

**REBAR-A**  
#5 x 75" REBAR  
@ 12" O.C. (48 REQ'D)

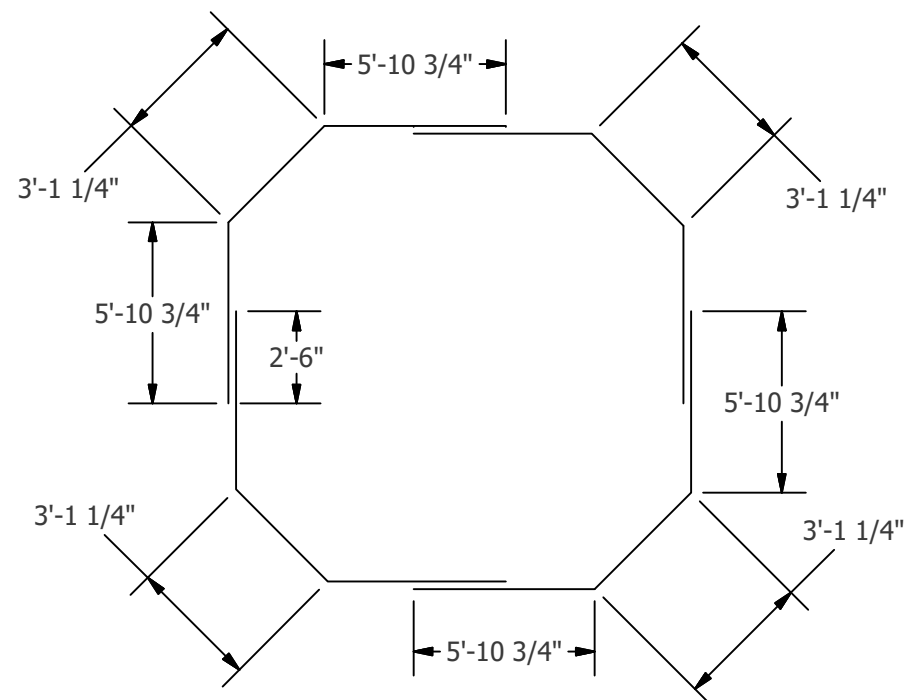
**REBAR-B**  
#5 x 75" REBAR  
@ 12" O.C. (48 REQ'D)

**REBAR-C**  
#5 x 168.75" REBAR  
@ 12" O.C. (48 REQ'D)  
1" CLR. INSIDE

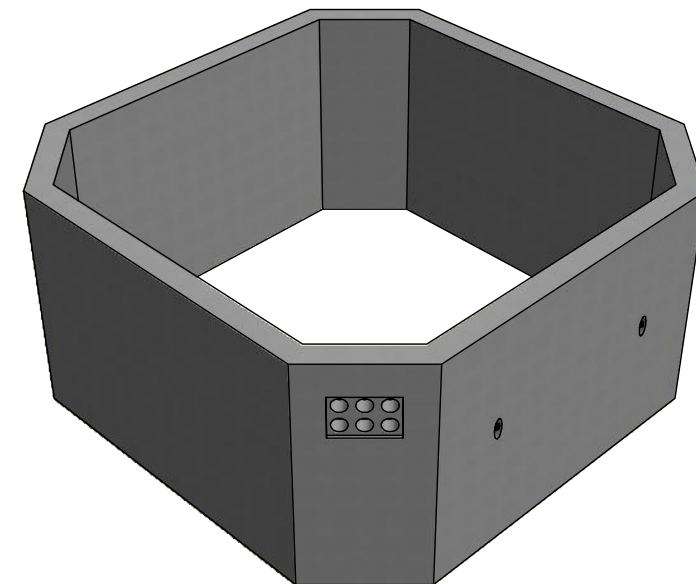
**REBAR-D**  
#5 x 178.75" REBAR  
@ 12" O.C. (48 REQ'D)  
1" CLR. OUTSIDE



**INSIDE  
(HOOP DETAIL)**



**OUTSIDE  
(HOOP DETAIL)**



**NOTES:**

- 1) DESIGN CRITERIA IS MINIMUM USED UNLESS OTHERWISE SPECIFIED.
- 2) DESIGN LOADINGS:
  - A. AASHTO HS-20-44. W/ IMPACT.
  - B. SOIL WEIGHT = 120 PSF.
  - C. DEPTH OF OVERBURDEN 0'-0" MIN, 7'-0" MAX.
  - D. ASSUMED WATER TABLE 5'-0"
  - E. EQUIV. FLUID PRESSURE = 45 PCF.
  - F. 80 PSF. LATERAL LIVE LOAD SURCHARGE.
- 3) CONCRETE 28 DAY COMPRESSIVE STRENGTH SHALL BE 5500 PSI (MIN.)
- 4) STEEL REINFORCEMENT: REBAR, ASTM A-615 GRADE 60.
- 5) CEMENT: ASTM C-150 SPECIFICATIONS

Section	#	Weight
Riser Section	4	400.8 Lbs.
Riser Section	5	1,450 Lbs.

DASHED LINES REPRESENT HIDDEN EDGES

**DESCRIPTION**  
12'-10"x12'-10"x6'-9" Precast Concrete  
LG-4 WAY | CENTERPOINT MANHOLE

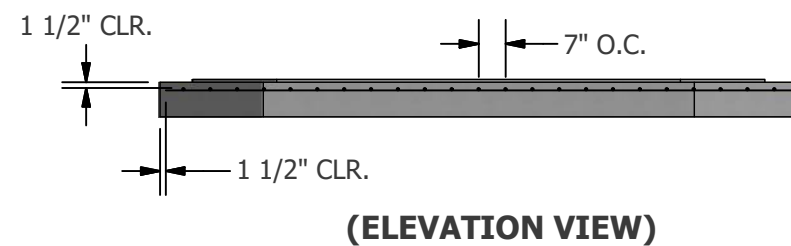
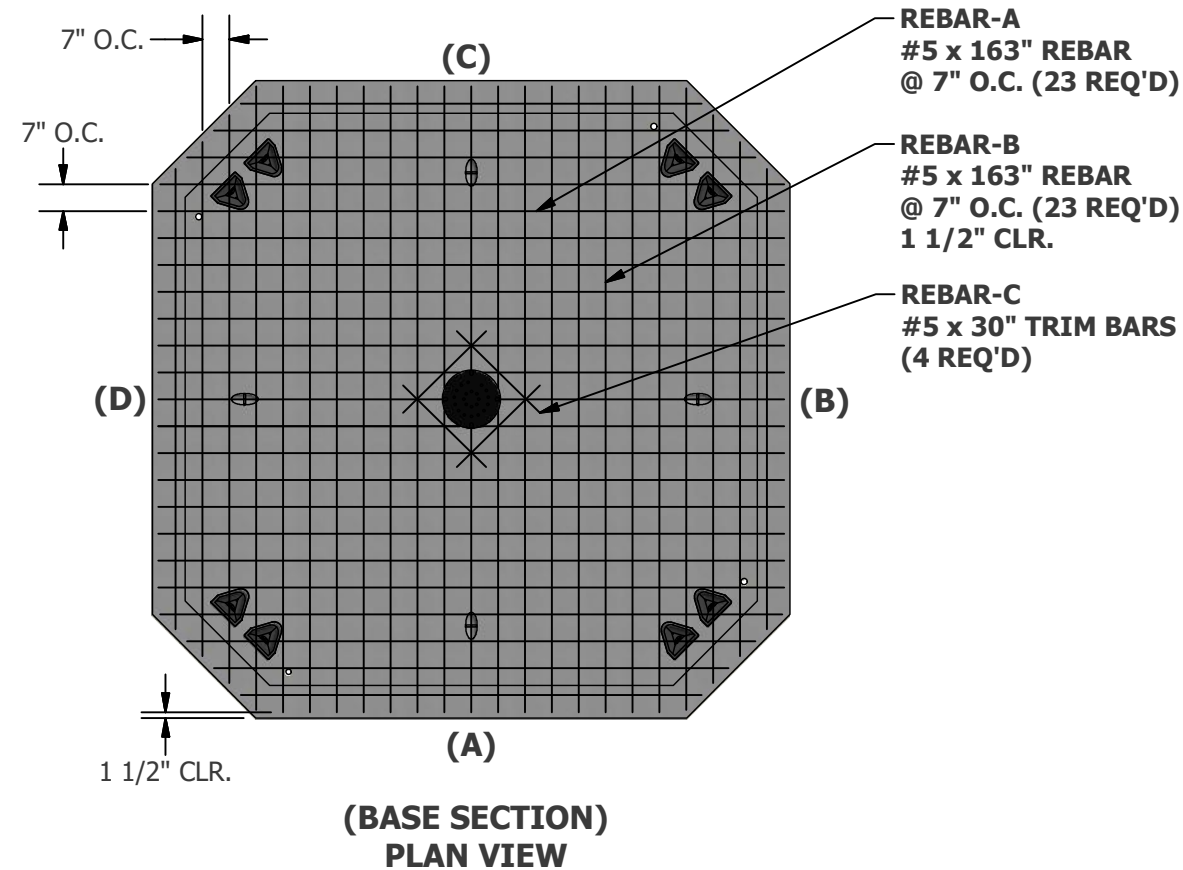
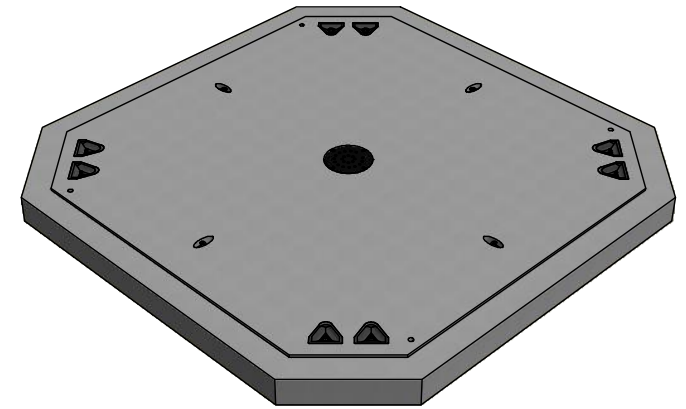
**PROJECT**

**CUSTOMER**



LIBERTY PRECAST  
18905 E. Industrial Pkwy  
New Caney, TX 77357

MODELED BY	DATE	REV	SHEET
Reydesel A.	4/26/2018	A	4 of 5



**NOTES:**

- 1) DESIGN CRITERIA IS MINIMUM USED UNLESS OTHERWISE SPECIFIED.
- 2) DESIGN LOADINGS:
  - A. AASHTO HS-20-44. W/ IMPACT.
  - B. SOIL WEIGHT = 120 PSF.
  - C. DEPTH OF OVERBURDEN 0'-0" MIN, 7'-0" MAX.
  - D. ASSUMED WATER TABLE 5'-0"
  - E. EQUIV. FLUID PRESSURE = 45 PCF.
  - F. 80 PSF. LATERAL LIVE LOAD SURCHARGE.
- 3) CONCRETE 28 DAY COMPRESSIVE STRENGTH SHALL BE 5500 PSI (MIN.)
- 4) STEEL REINFORCEMENT: REBAR, ASTM A-615 GRADE 60.
- 5) CEMENT: ASTM C-150 SPECIFICATIONS

Section	#	Weight
Base Section	5	659.0 Lbs.

DASHED LINES REPRESENT HIDDEN EDGES

**DESCRIPTION**  
12'-10"x12'-10"x6'-9" Precast Concrete  
LG-4 WAY | CENTERPOINT MANHOLE

**PROJECT**

**CUSTOMER**



LIBERTY PRECAST  
18905 E. Industrial Pkwy  
New Caney, TX 77357

MODELED BY	DATE	REV	SHEET
Reydesel A.	4/26/2018	A	5 of 5