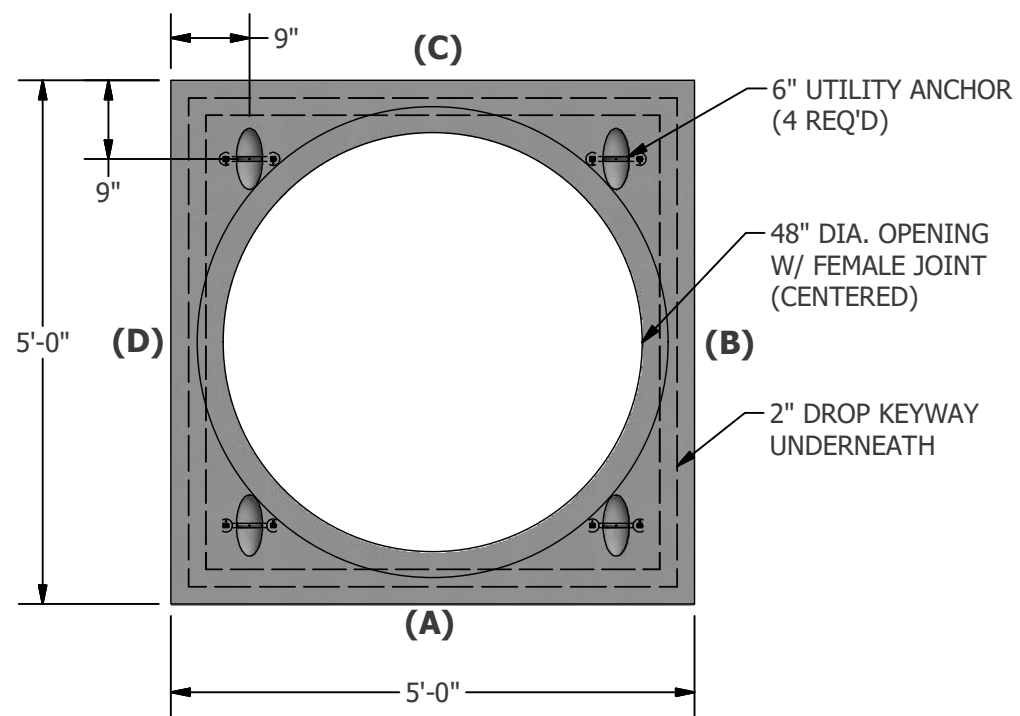
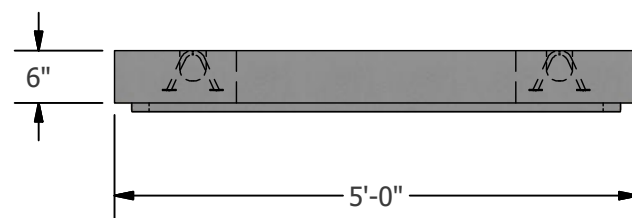


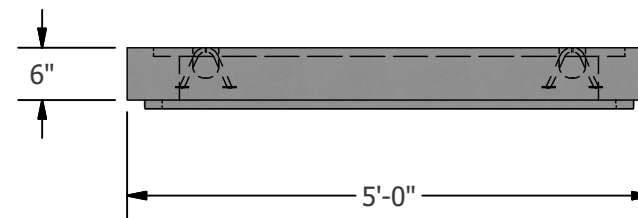
**(32" DIA. OPENING)  
PLAN VIEW**



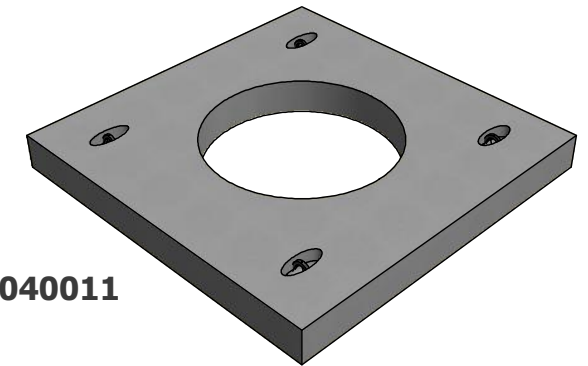
**(48" DIA. OPENING)  
PLAN VIEW**



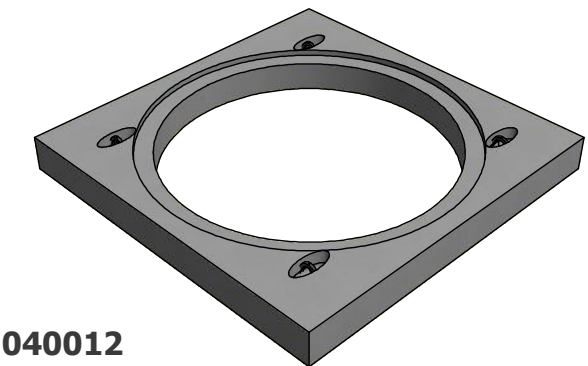
**(ELEVATION VIEW)**



**(ELEVATION VIEW)**



**ITEM#10-01040011**



**ITEM#10-01040012**

**NOTES:**

Design Load: **HS-20** (ASTM C857)  
 Overburden Depth: **Min 0.0' and Max 3.0'**  
 Concrete: 28 Day Compressive Strength => **4,500 PSI**  
 Rebar: **Grade 60** (ASTM A-615)  
 Wire Mesh Equiv.: **Grade 80** (ASTM A-185)

Section	CYD	Weight
32"-Trans.	0.4	1,780 Lbs.
48"-Trans.	0.3	960 Lbs.

**Made in U.S.A**

DASHED LINES REPRESENT HIDDEN EDGES

**DESCRIPTION**  
 4'-0" X 4'-0" X 6" Precast Concrete  
 TRANSITION (32" DIA. | 48" DIA.)

**PROJECT**

**CUSTOMER**

**BUCKNER PRECAST**  
**BUCKNER** 18905 E. Industrial Pkwy  
**PRECAST** New Caney, TX 77357

MODELED BY	DATE	REV	SHEET
Reydesel A.	6/1/2018	A	1 of 1