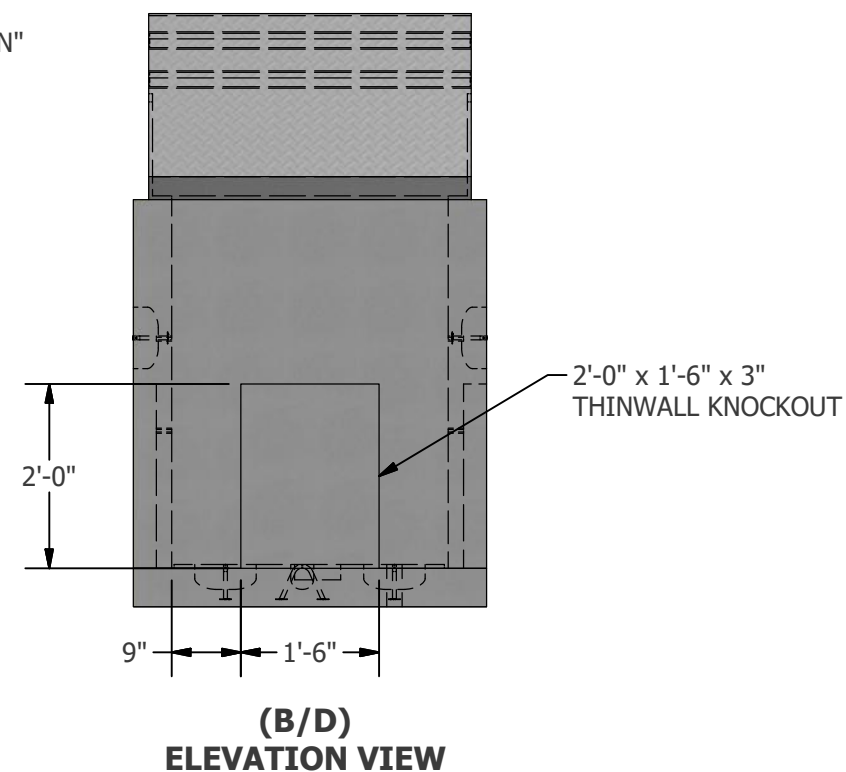
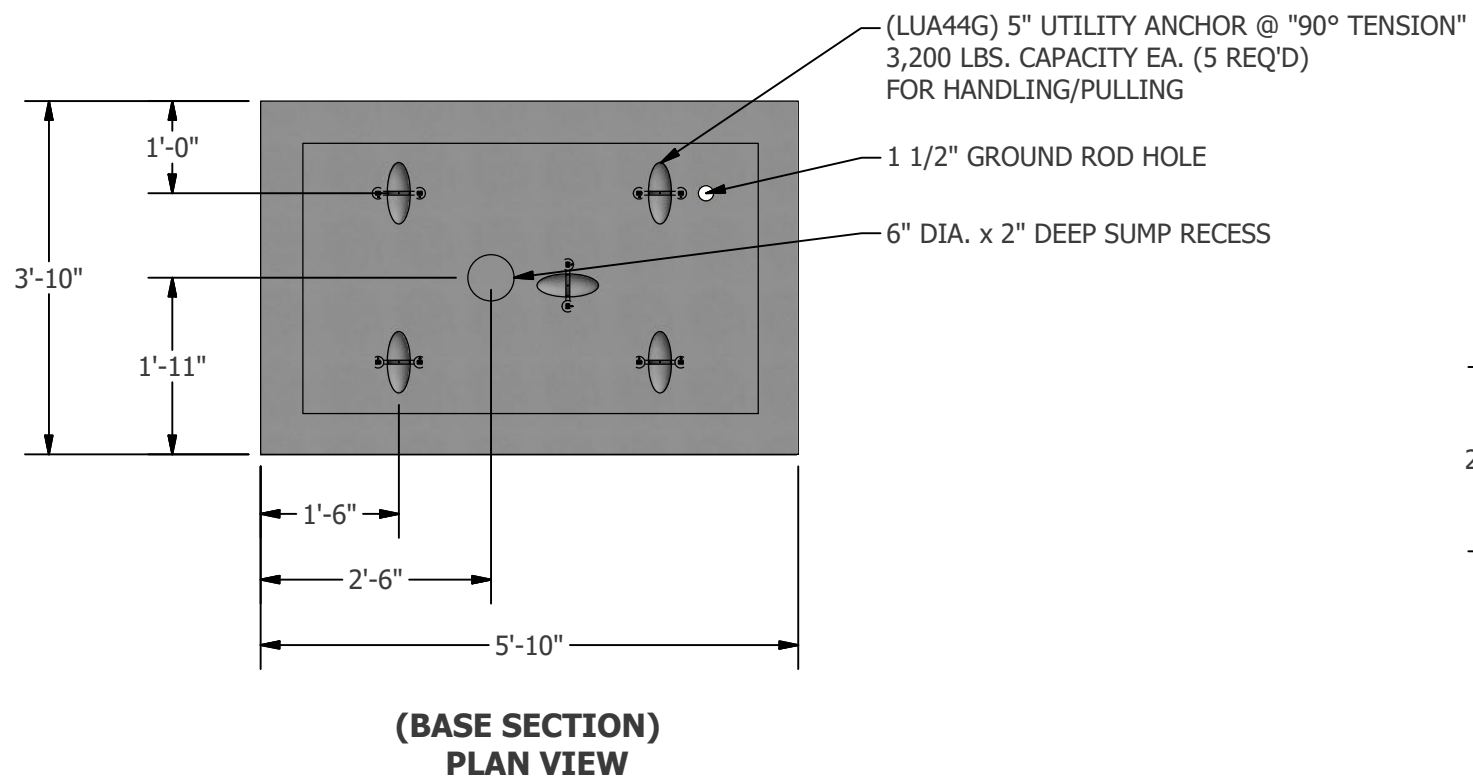



**NOTES:**  
 Design Load: **HS-20** (ASTM C857)  
 Overburden Depth: **Min 0.0' and Max 3.0'**  
 Concrete: 28 Day Compressive Strength => **4,500 PSI**  
 Rebar: **Grade 60** (ASTM A-615)  
 Wire Mesh Equiv.: **Grade 80** (ASTM A-185)



Section	CYD	Weight
Top Section	1.0	3,990 Lbs.
Base Section	0.4	1,470 Lbs.

DASHED LINES REPRESENT HIDDEN EDGES

DESCRIPTION			
3'-0"x5'-0"x4'-0" Precast Concrete ELECTRICAL SPLICE BOX			
PROJECT			
CUSTOMER			
 <b>LIBERTY PRECAST</b> 18905 E. Industrial Pkwy New Caney, TX 77357			
MODELED BY	DATE	REV	SHEET
Reydesel A.	3/24/2018	A	1 of 1