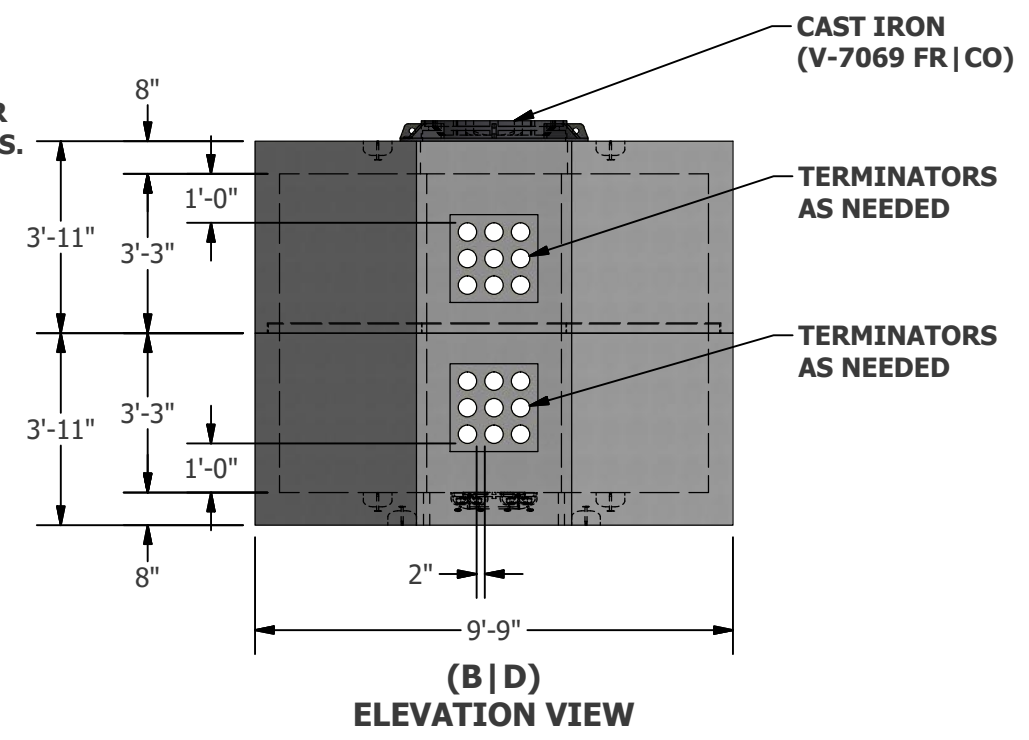
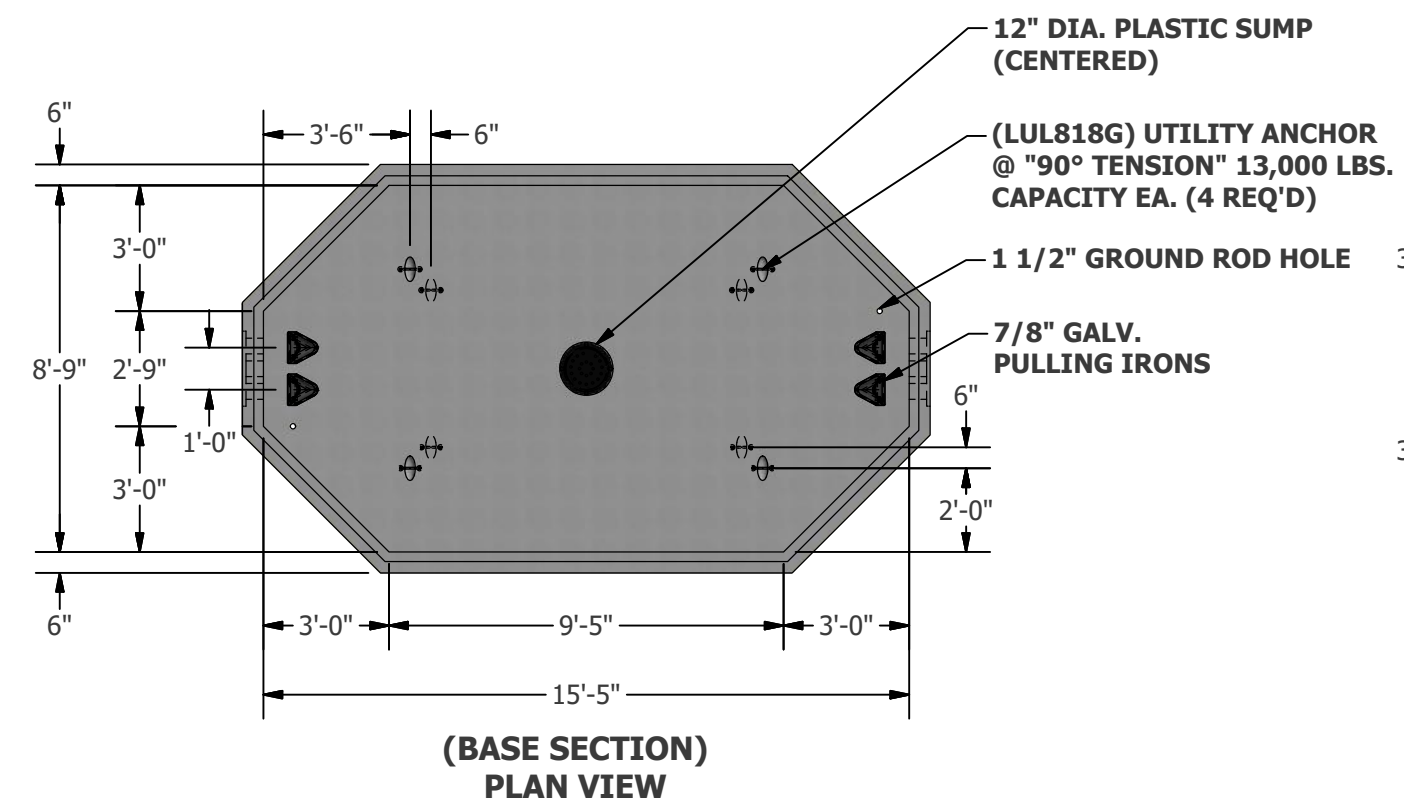


- NOTES:**
- DESIGN CRITERIA IS MINIMUM USED UNLESS OTHERWISE SPECIFIED.
 - DESIGN LOADINGS:
 - A. AASHTO HS-20-44. W/ IMPACT.
 - B. SOIL WEIGHT = 120 PSF.
 - C. DEPTH OF OVERBURDEN 0'-0" MIN, 7'-0" MAX.
 - D. ASSUMED WATER TABLE 5'-0"
 - E. EQUIV. FLUID PRESSURE = 45 PCF.
 - F. 80 PSF. LATERAL LIVE LOAD SURCHARGE.
 - CONCRETE 28 DAY COMPRESSIVE STRENGTH SHALL BE 5500 PSI (MIN.)
 - STEEL REINFORCEMENT: REBAR, ASTM A-615 GRADE 60.
 - CEMENT: ASTM C-150 SPECIFICATIONS



Section	CYD	Weight
Top Section	5.8	23,430 Lbs.
Base Section	6.0	24,340 Lbs.

DASHED LINES REPRESENT HIDDEN EDGES

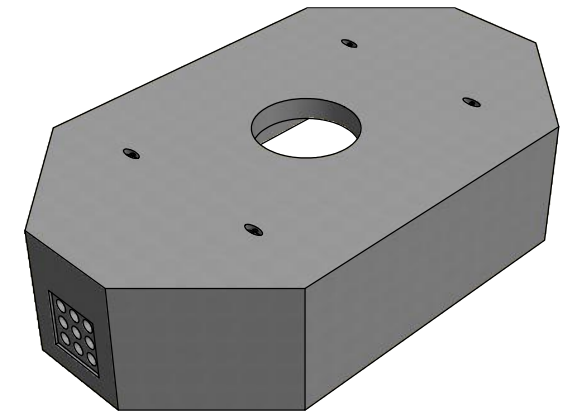
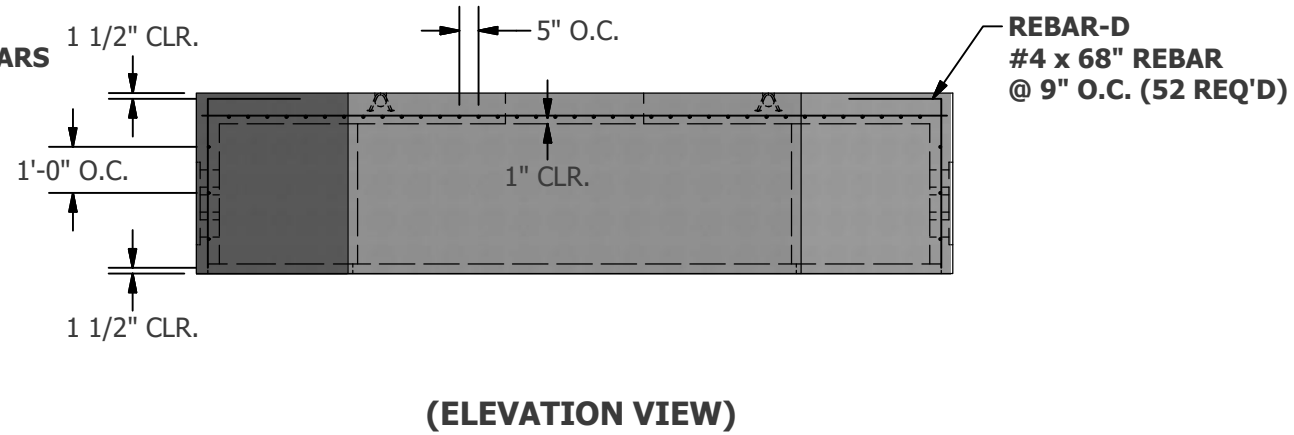
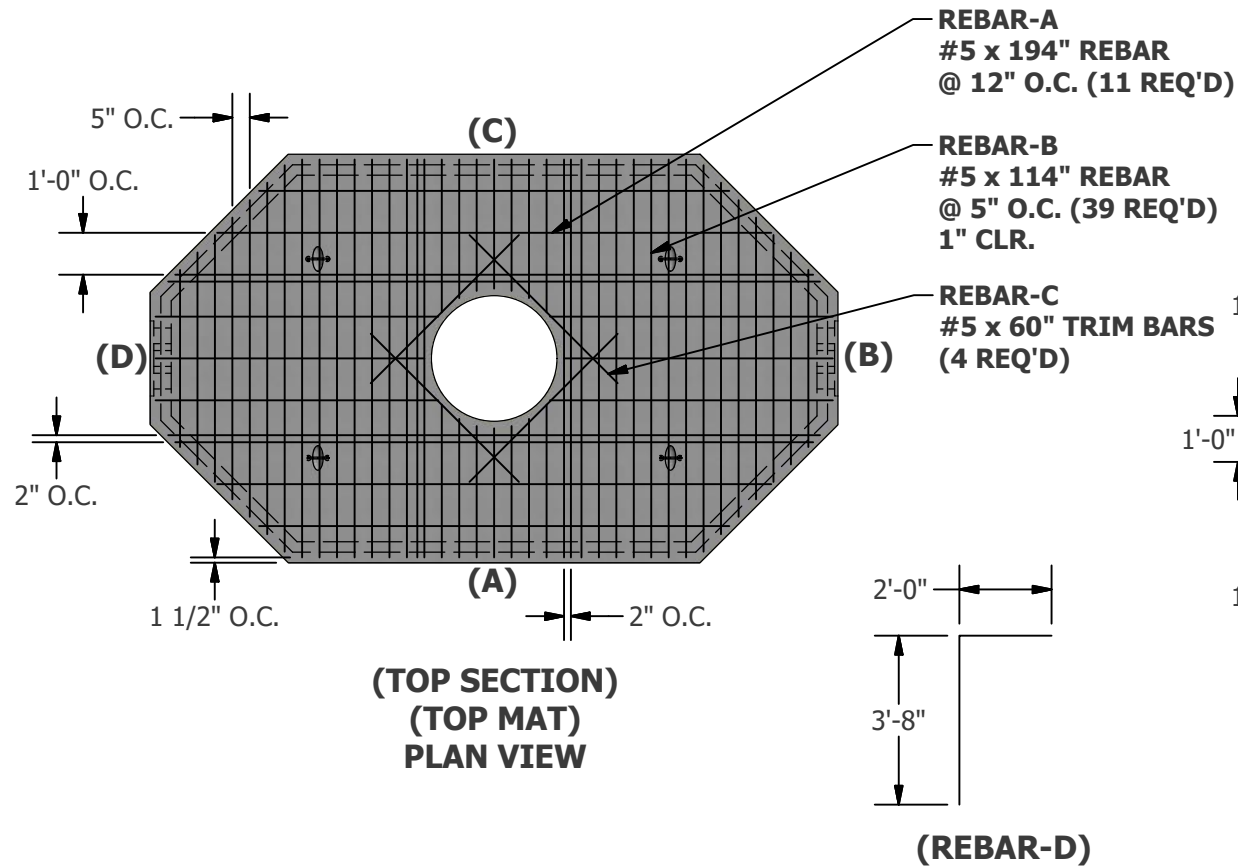
DESCRIPTION
8'-9" x 15'-5" x 6'-6" Precast Concrete LG-2 WAY CENTERPOINT MANHOLE

PROJECT

CUSTOMER

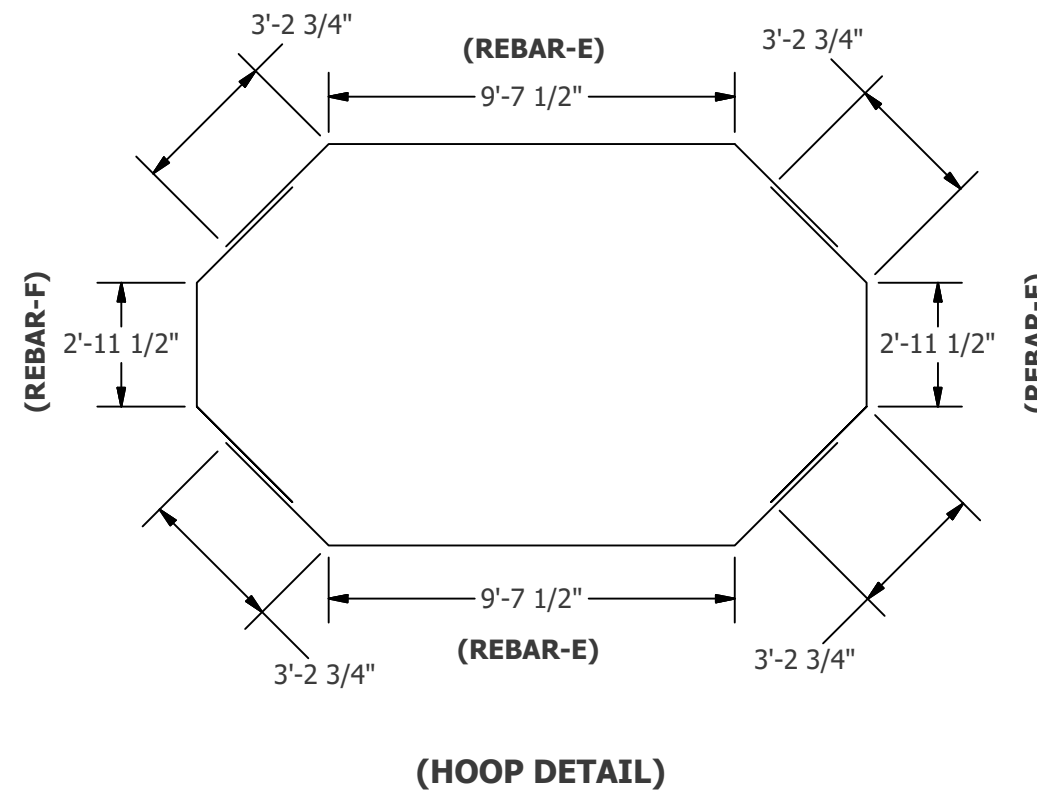
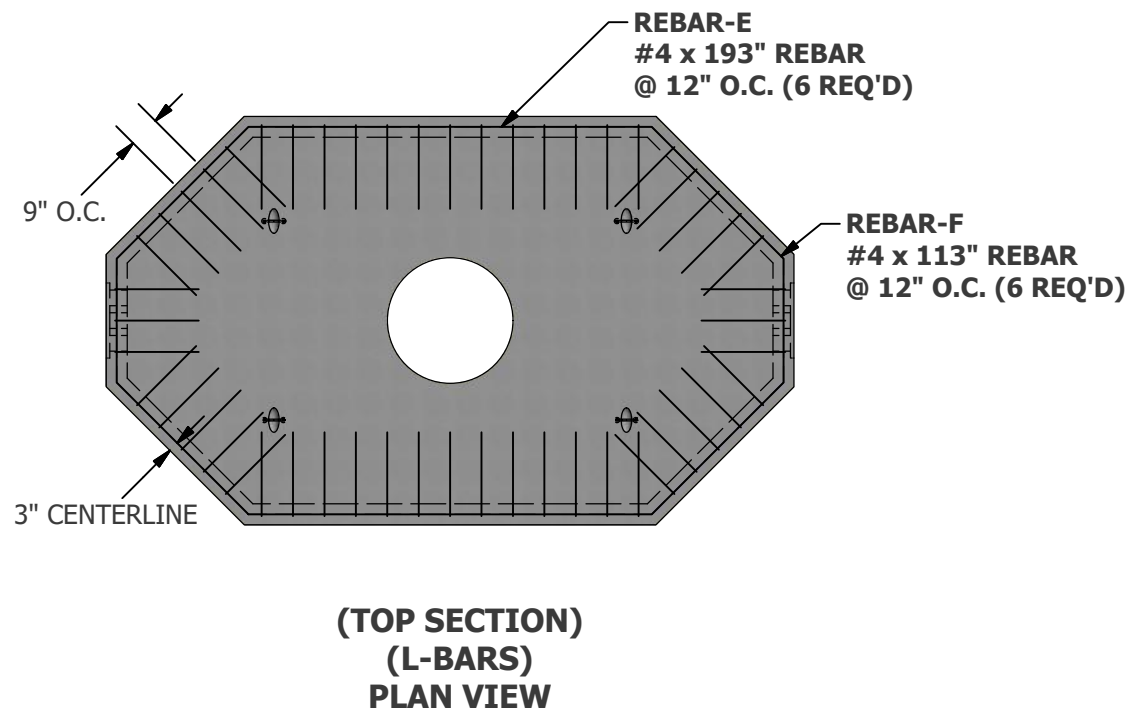
LIBERTY PRECAST
 18905 E. Industrial Pkwy
 New Caney, TX 77357

MODELED BY	DATE	REV	SHEET
Reydesel A.	5/6/2018	B	1 of 3



NOTES:

- 1) DESIGN CRITERIA IS MINIMUM USED UNLESS OTHERWISE SPECIFIED.
- 2) DESIGN LOADINGS:
 - A. AASHTO HS-20-44. W/ IMPACT.
 - B. SOIL WEIGHT = 120 PSF.
 - C. DEPTH OF OVERBURDEN 0'-0" MIN, 7'-0" MAX.
 - D. ASSUMED WATER TABLE 5'-0"
 - E. EQUIV. FLUID PRESSURE = 45 PCF.
 - F. 80 PSF. LATERAL LIVE LOAD SURCHARGE.
- 3) CONCRETE 28 DAY COMPRESSIVE STRENGTH SHALL BE 5500 PSI (MIN.)
- 4) STEEL REINFORCEMENT: REBAR, ASTM A-615 GRADE 60.
- 5) CEMENT: ASTM C-150 SPECIFICATIONS



Section	#	Weight
Top Section	4	296.0 Lbs.
	5	594.0 Lbs.

DASHED LINES REPRESENT HIDDEN EDGES

DESCRIPTION
8'-9" x 15'-5" x 6'-6" Precast Concrete
LG-2 WAY | CENTERPOINT MANHOLE

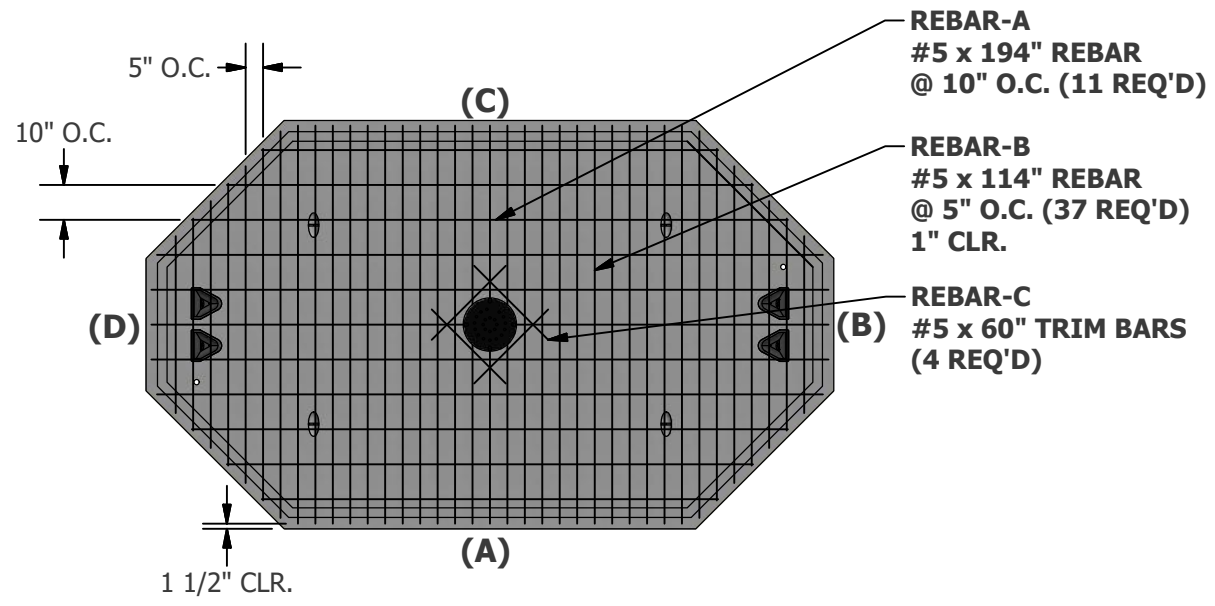
PROJECT

CUSTOMER

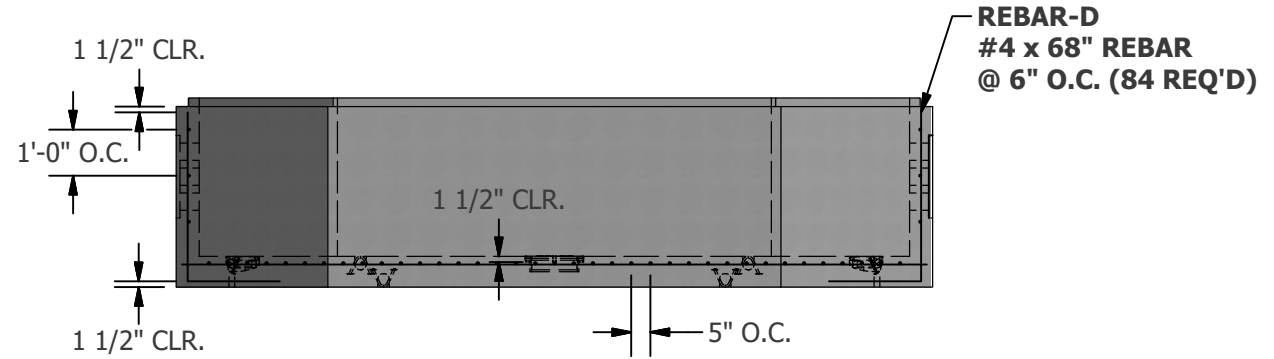


LIBERTY PRECAST
18905 E. Industrial Pkwy
New Caney, TX 77357

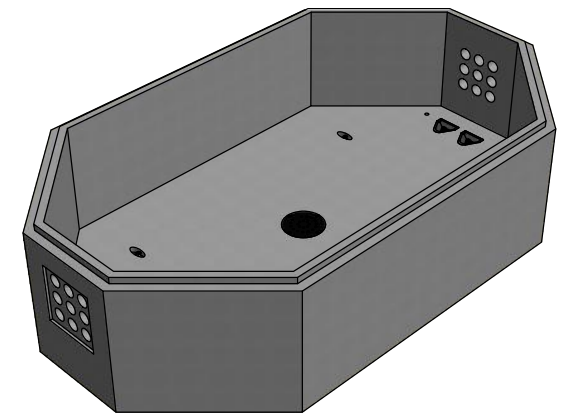
MODELED BY	DATE	REV	SHEET
Reydesel A.	5/6/2018	B	2 of 3



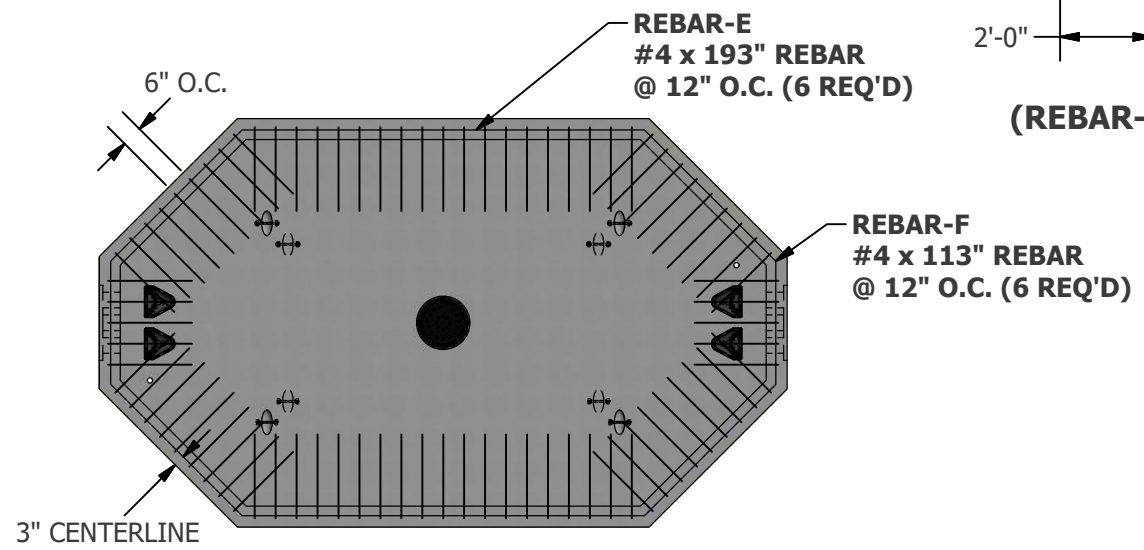
**(TOP SECTION)
(TOP MAT)
PLAN VIEW**



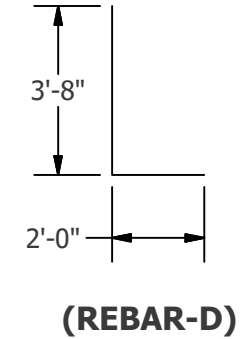
(ELEVATION VIEW)



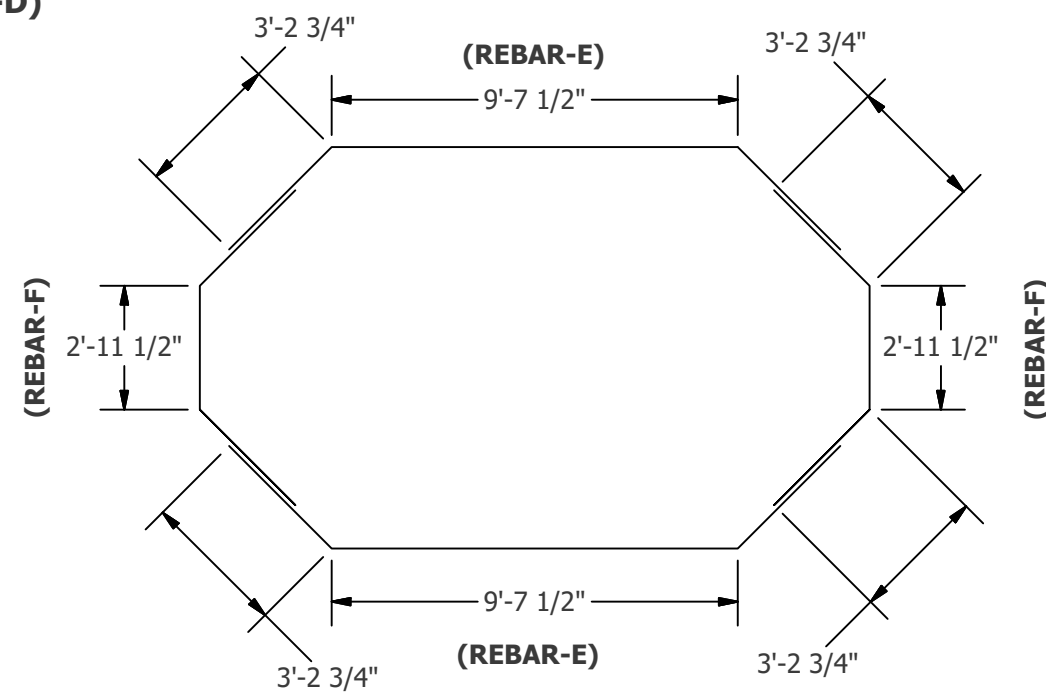
- NOTES:**
- 1) DESIGN CRITERIA IS MINIMUM USED UNLESS OTHERWISE SPECIFIED.
 - 2) DESIGN LOADINGS:
 - A. AASHTO HS-20-44. W/ IMPACT.
 - B. SOIL WEIGHT = 120 PSF.
 - C. DEPTH OF OVERBURDEN 0'-0" MIN, 7'-0" MAX.
 - D. ASSUMED WATER TABLE 5'-0"
 - E. EQUIV. FLUID PRESSURE = 45 PCF.
 - F. 80 PSF. LATERAL LIVE LOAD SURCHARGE.
 - 3) CONCRETE 28 DAY COMPRESSIVE STRENGTH SHALL BE 5500 PSI (MIN.)
 - 4) STEEL REINFORCEMENT: REBAR, ASTM A-615 GRADE 60.
 - 5) CEMENT: ASTM C-150 SPECIFICATIONS



**(TOP SECTION)
(L-BARS)
PLAN VIEW**



(REBAR-D)



(HOOP DETAIL)


Section	#	Weight
Base Section	4	421.0 Lbs.
	5	574.0 Lbs.

DASHED LINES REPRESENT HIDDEN EDGES

DESCRIPTION
8'-9" x 15'-5" x 6'-6" Precast Concrete LG-2 WAY | CENTERPOINT MANHOLE

PROJECT

CUSTOMER

 **LIBERTY PRECAST**
18905 E. Industrial Pkwy
New Caney, TX 77357

MODELED BY	DATE	REV	SHEET
Reydesel A.	5/6/2018	B	3 of 3