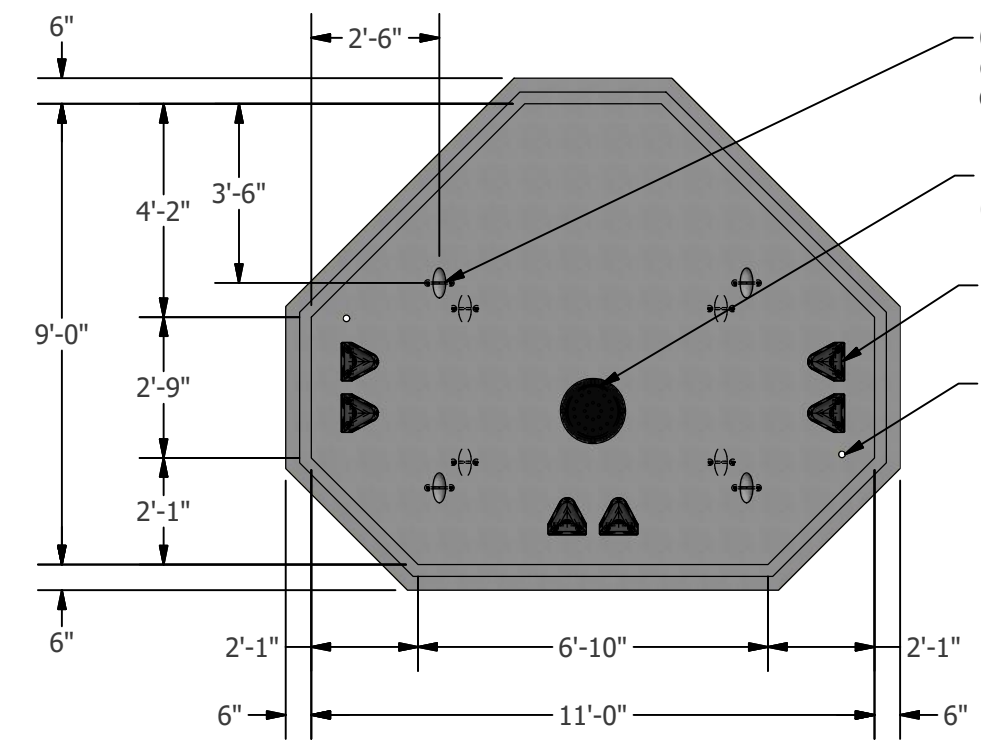
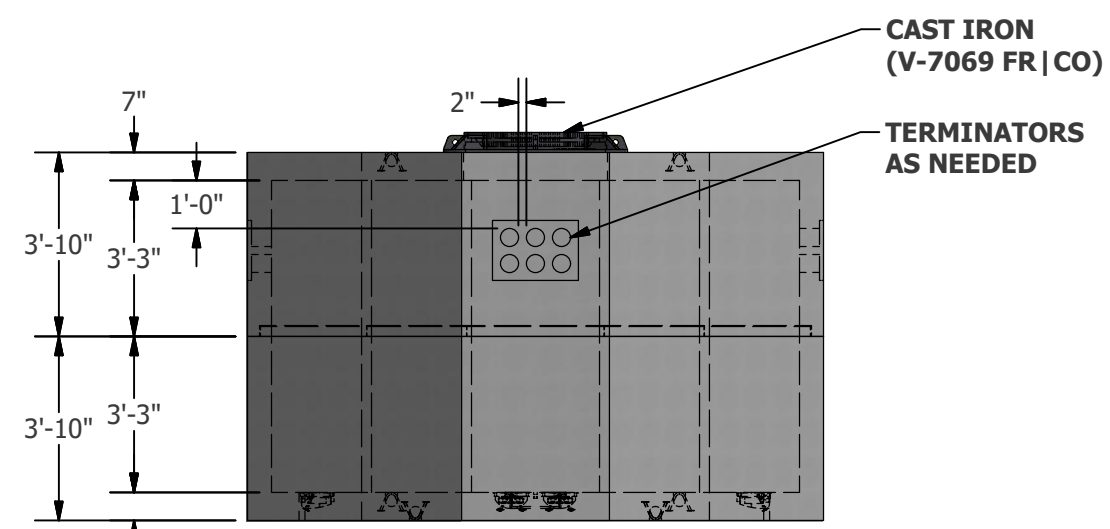


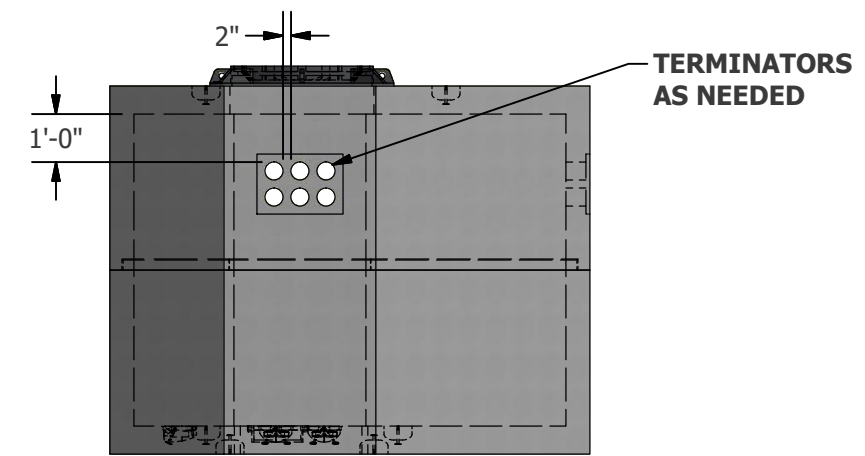
**(TOP SECTION)
PLAN VIEW**



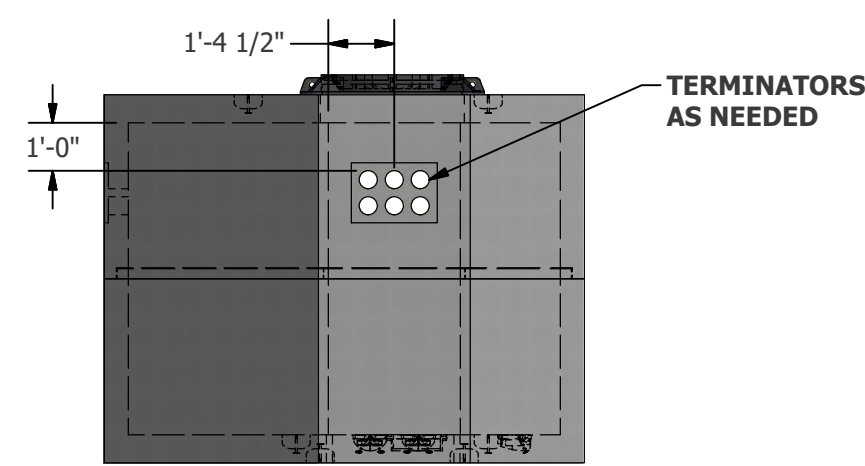
**(BASE SECTION)
PLAN VIEW**



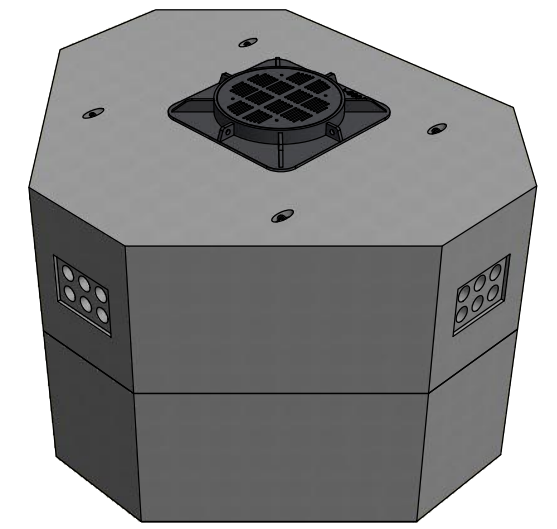
**(C)
ELEVATION VIEW**



**(B)
ELEVATION VIEW**



**(D)
ELEVATION VIEW**




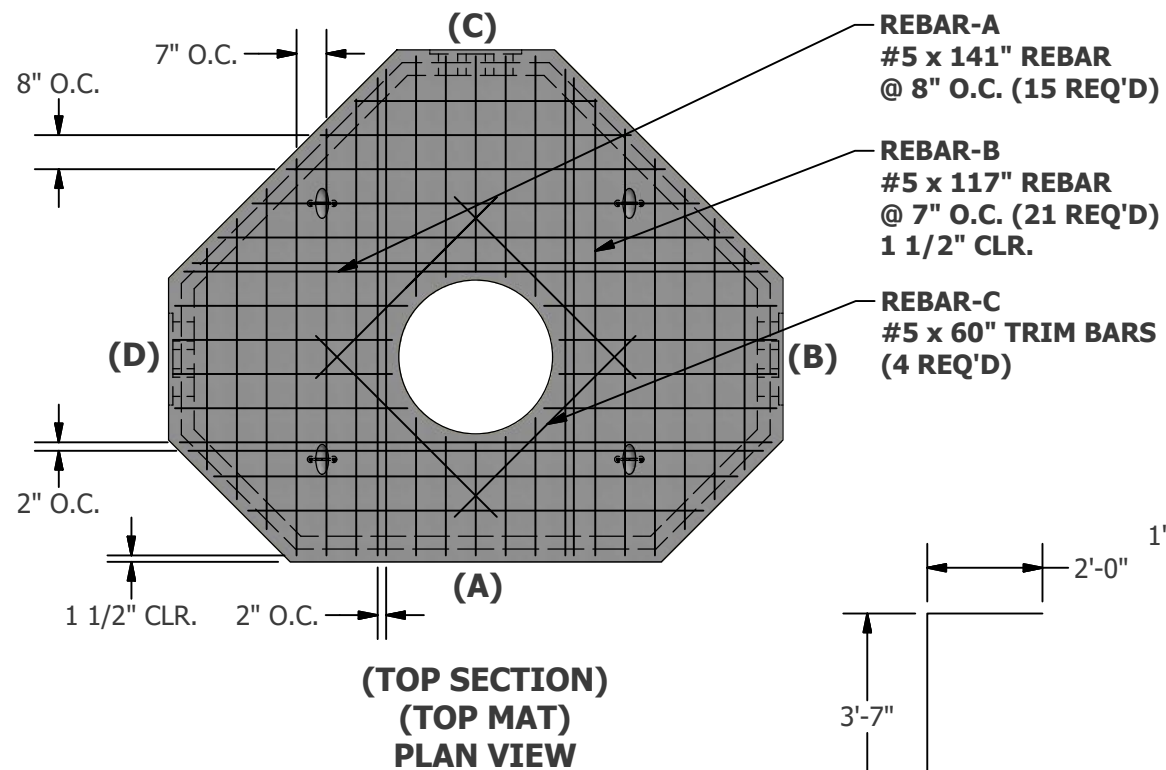
NOTES:

- 1) DESIGN CRITERIA IS MINIMUM USED UNLESS OTHERWISE SPECIFIED.
- 2) DESIGN LOADINGS:
 - A. AASHTO HS-20-44. W/ IMPACT.
 - B. SOIL WEIGHT = 120 PSF.
 - C. DEPTH OF OVERBURDEN 0'-0" MIN, 7'-0" MAX.
 - D. ASSUMED WATER TABLE 5'-0"
 - E. EQUIV. FLUID PRESSURE = 45 PCF.
 - F. 80 PSF. LATERAL LIVE LOAD SURCHARGE.
- 3) CONCRETE 28 DAY COMPRESSIVE STRENGTH SHALL BE 5500 PSI (MIN.)
- 4) STEEL REINFORCEMENT: REBAR, ASTM A-615 GRADE 60.
- 5) CEMENT: ASTM C-150 SPECIFICATIONS

Section	CYD	Weight
Top Section	3.9	15,540 Lbs.
Base Section	4.2	16,890 Lbs.

DASHED LINES REPRESENT HIDDEN EDGES

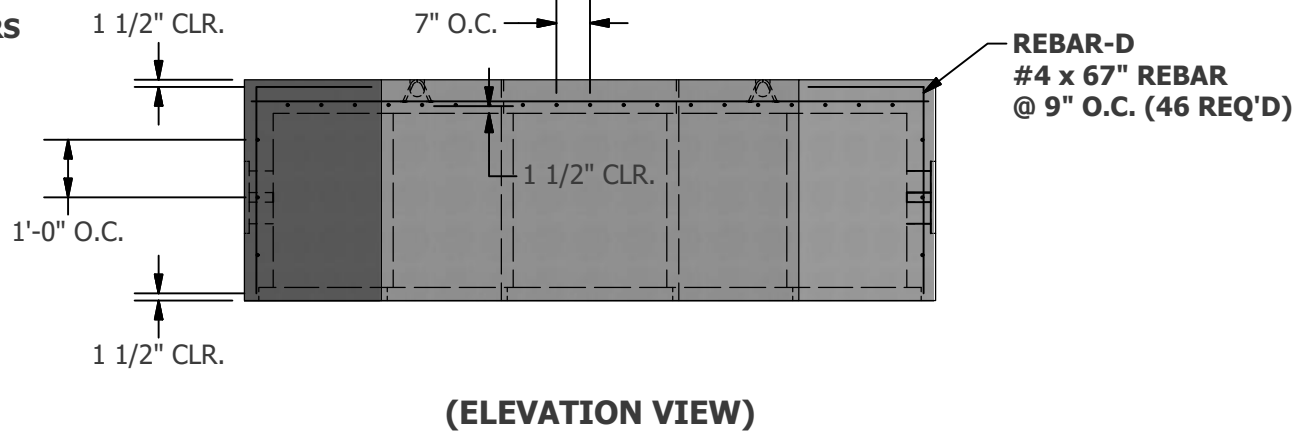
DESCRIPTION			
9'-0" x 11'-0" x 6'-6" Precast Concrete SM-3 WAY CENTERPOINT MANHOLE			
PROJECT			
CUSTOMER			
 LIBERTY PRECAST 18905 E. Industrial Pkwy New Caney, TX 77357			
MODELED BY	DATE	REV	SHEET
Reydesel A.	4/26/2018	A	1 of 3



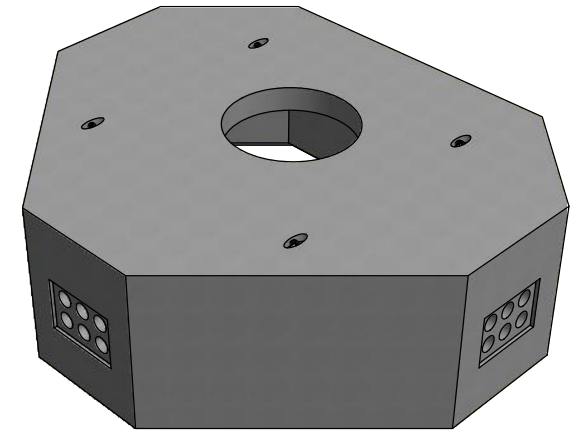
REBAR-A
#5 x 141" REBAR
@ 8" O.C. (15 REQ'D)

REBAR-B
#5 x 117" REBAR
@ 7" O.C. (21 REQ'D)
1 1/2" CLR.

REBAR-C
#5 x 60" TRIM BARS
(4 REQ'D)



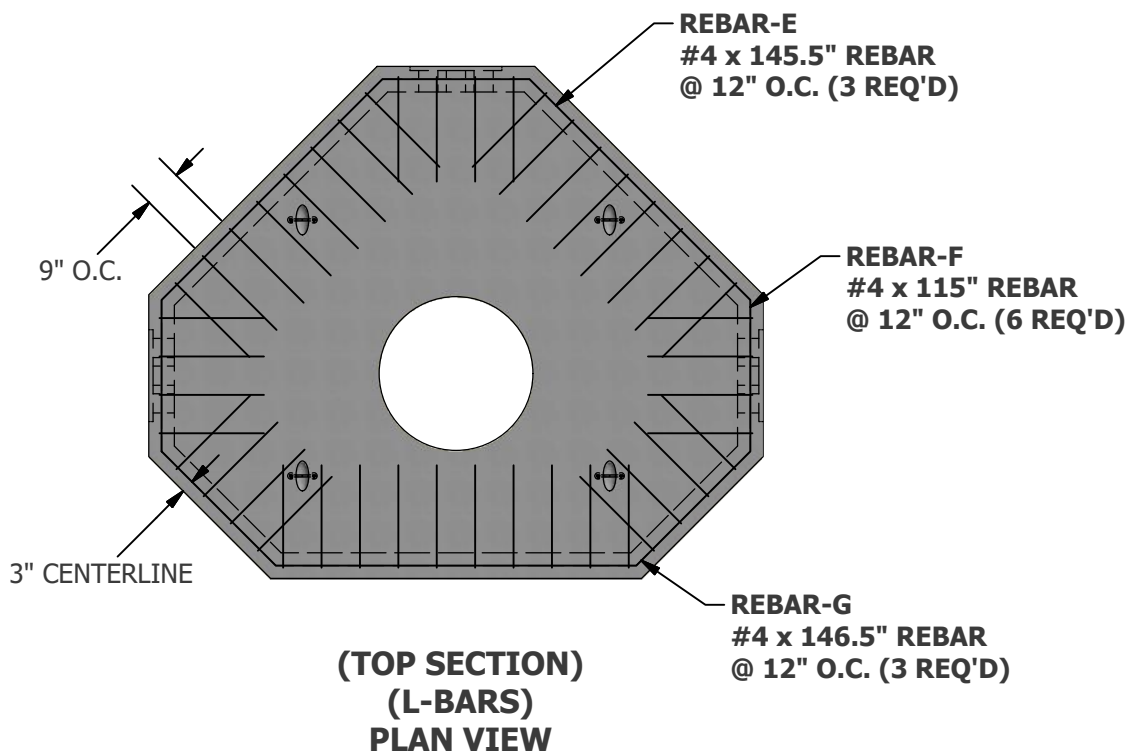
REBAR-D
#4 x 67" REBAR
@ 9" O.C. (46 REQ'D)



NOTES:

- 1) DESIGN CRITERIA IS MINIMUM USED UNLESS OTHERWISE SPECIFIED.
- 2) DESIGN LOADINGS:
 - A. AASHTO HS-20-44. W/ IMPACT.
 - B. SOIL WEIGHT = 120 PSF.
 - C. DEPTH OF OVERBURDEN 0'-0" MIN, 7'-0" MAX.
 - D. ASSUMED WATER TABLE 5'-0"
 - E. EQUIV. FLUID PRESSURE = 45 PCF.
 - F. 80 PSF. LATERAL LIVE LOAD SURCHARGE.
- 3) CONCRETE 28 DAY COMPRESSIVE STRENGTH SHALL BE 5500 PSI (MIN.)
- 4) STEEL REINFORCEMENT: REBAR, ASTM A-615 GRADE 60.
- 5) CEMENT: ASTM C-150 SPECIFICATIONS

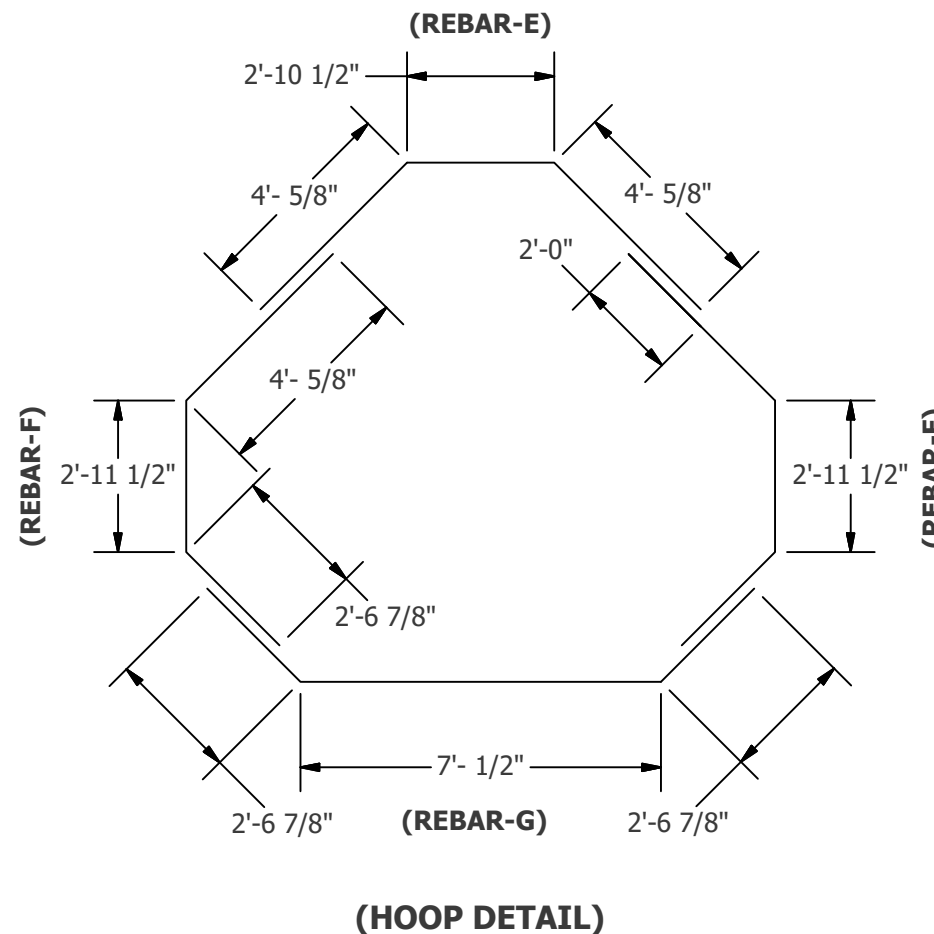
(REBAR-D)



REBAR-E
#4 x 145.5" REBAR
@ 12" O.C. (3 REQ'D)

REBAR-F
#4 x 115" REBAR
@ 12" O.C. (6 REQ'D)

REBAR-G
#4 x 146.5" REBAR
@ 12" O.C. (3 REQ'D)



Section	#	Weight
Top Section	4	262.0 Lbs.
	5	419.0 Lbs.

DASHED LINES REPRESENT HIDDEN EDGES

DESCRIPTION
9'-0" x 11'-0" x 6'-6" Precast Concrete
SM-3 WAY | CENTERPOINT MANHOLE

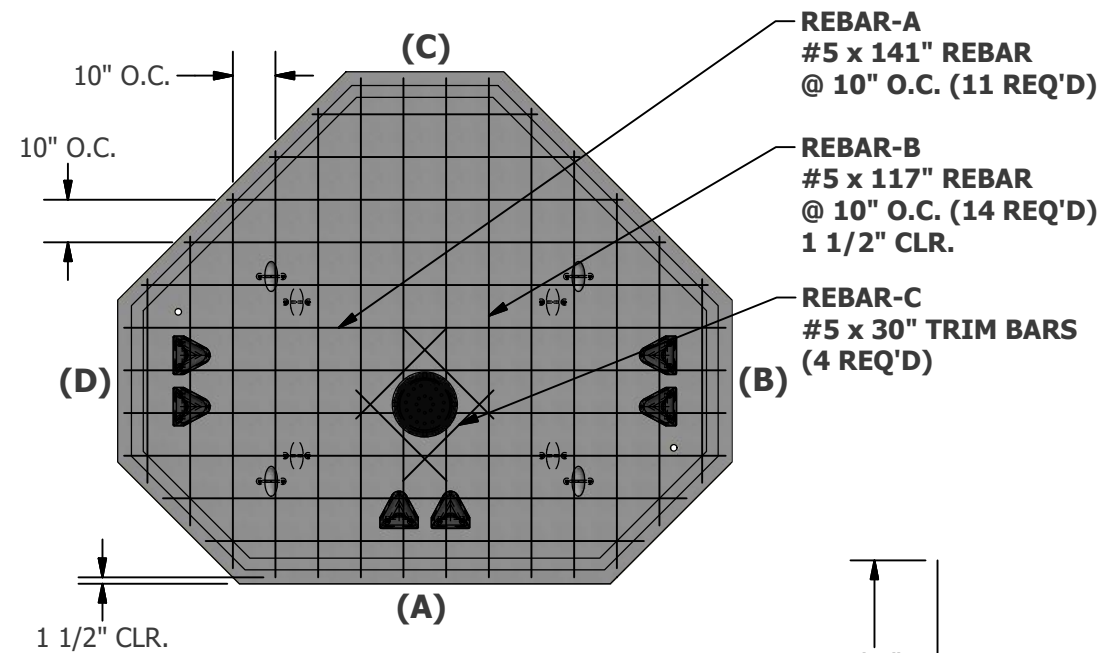
PROJECT

CUSTOMER



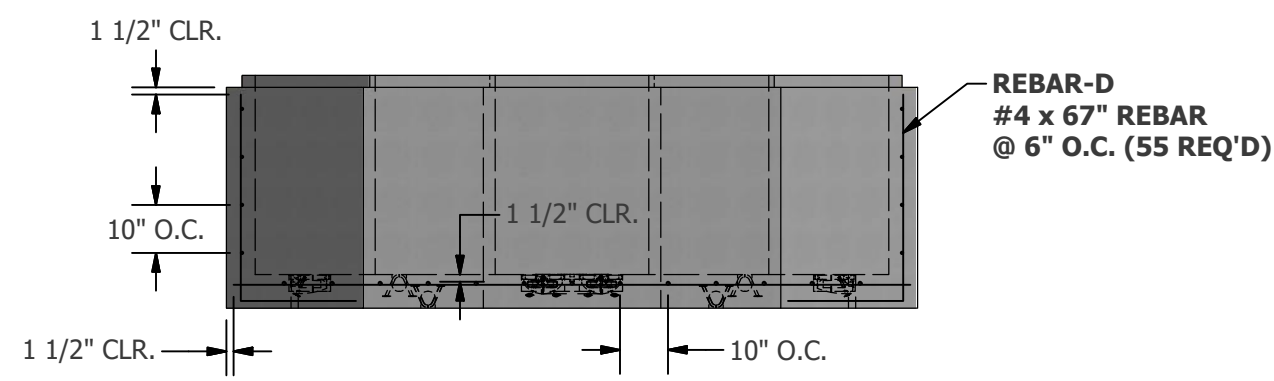
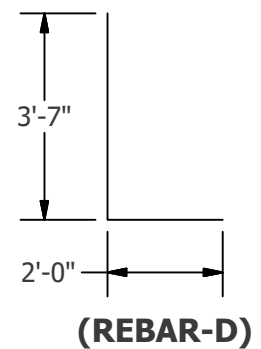
LIBERTY PRECAST
18905 E. Industrial Pkwy
New Caney, TX 77357

MODELED BY	DATE	REV	SHEET
Reydesel A.	4/26/2018	A	2 of 3

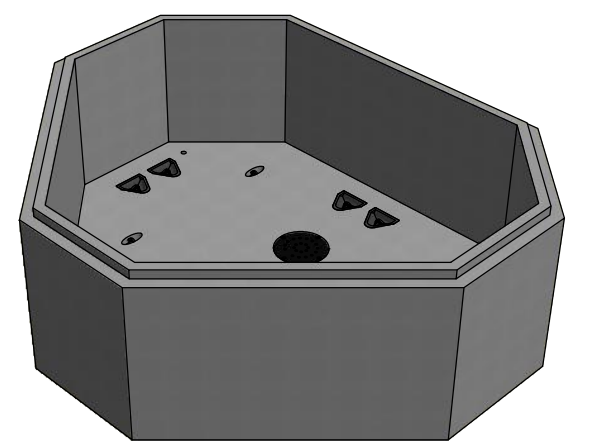


**(BOTTOM SECTION)
(BOTTOM MAT)
PLAN VIEW**

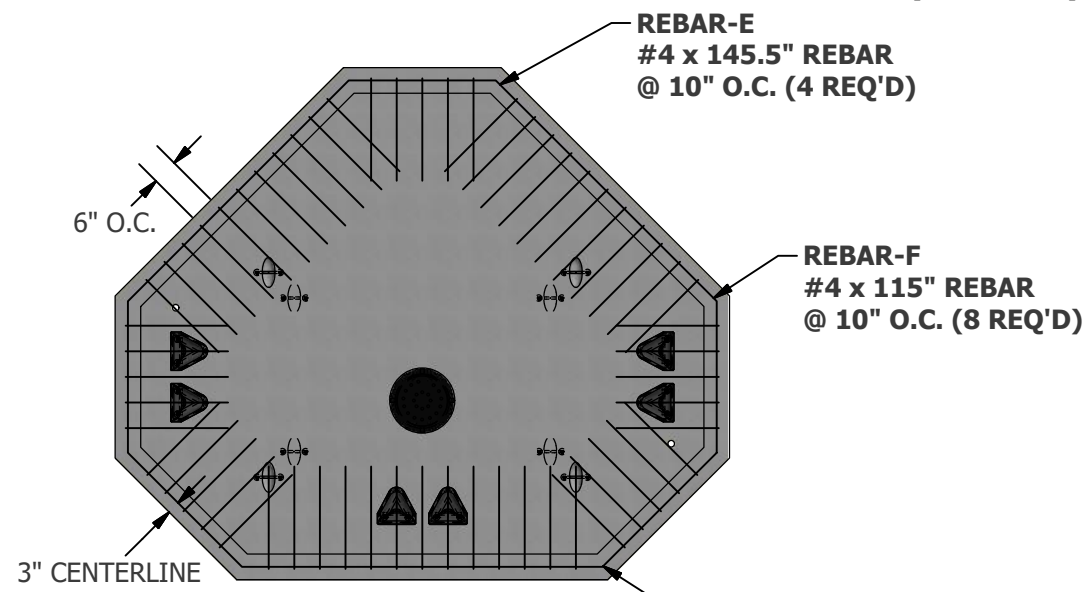
- REBAR-A
#5 x 141" REBAR
@ 10" O.C. (11 REQ'D)
- REBAR-B
#5 x 117" REBAR
@ 10" O.C. (14 REQ'D)
1 1/2" CLR.
- REBAR-C
#5 x 30" TRIM BARS
(4 REQ'D)



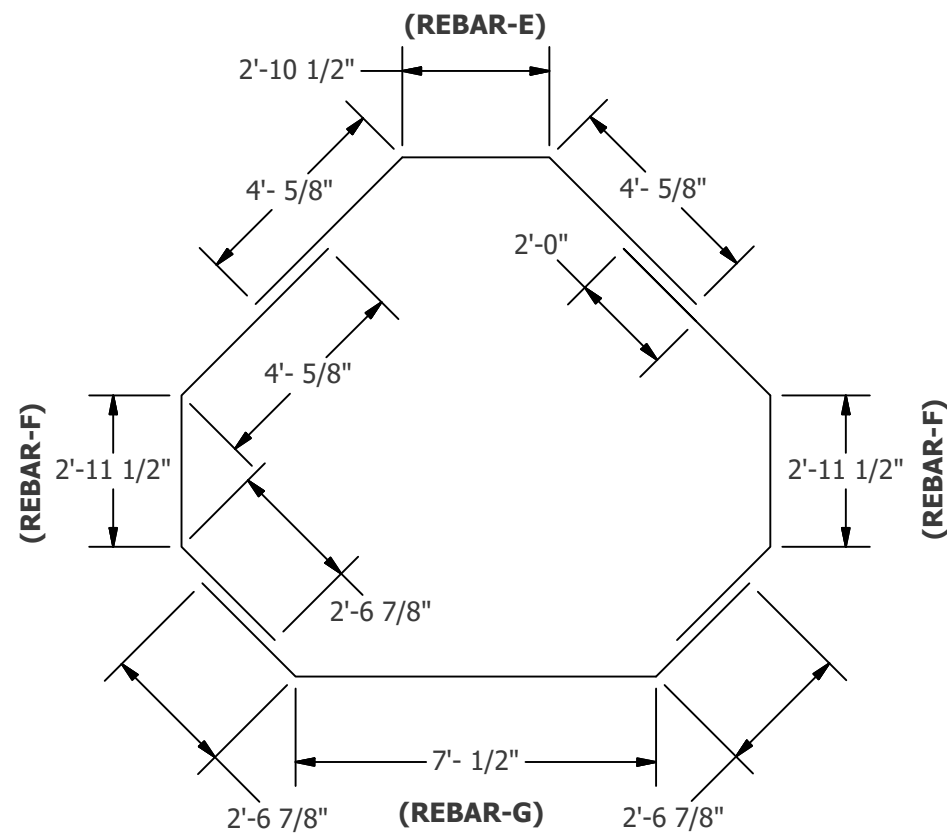
- REBAR-D
#4 x 67" REBAR
@ 6" O.C. (55 REQ'D)



- NOTES:**
- 1) DESIGN CRITERIA IS MINIMUM USED UNLESS OTHERWISE SPECIFIED.
 - 2) DESIGN LOADINGS:
 - A. AASHTO HS-20-44. W/ IMPACT.
 - B. SOIL WEIGHT = 120 PSF.
 - C. DEPTH OF OVERBURDEN 0'-0" MIN, 7'-0" MAX.
 - D. ASSUMED WATER TABLE 5'-0"
 - E. EQUIV. FLUID PRESSURE = 45 PCF.
 - F. 80 PSF. LATERAL LIVE LOAD SURCHARGE.
 - 3) CONCRETE 28 DAY COMPRESSIVE STRENGTH SHALL BE 5500 PSI (MIN.)
 - 4) STEEL REINFORCEMENT: REBAR, ASTM A-615 GRADE 60.
 - 5) CEMENT: ASTM C-150 SPECIFICATIONS




**(BOTTOM SECTION)
(L-BARS)
PLAN VIEW**



(HOOP DETAIL)

Section	#	Weight
Top Section	4	325.0 Lbs.
	5	290.0 Lbs.

DASHED LINES REPRESENT HIDDEN EDGES

DESCRIPTION			
9'-0" x 11'-0" x 6'-6" Precast Concrete SM-3 WAY CENTERPOINT MANHOLE			
PROJECT			
CUSTOMER			
 LIBERTY PRECAST 18905 E. Industrial Pkwy New Caney, TX 77357			
MODELED BY	DATE	REV	SHEET
Reydesel A.	4/26/2018	A	3 of 3