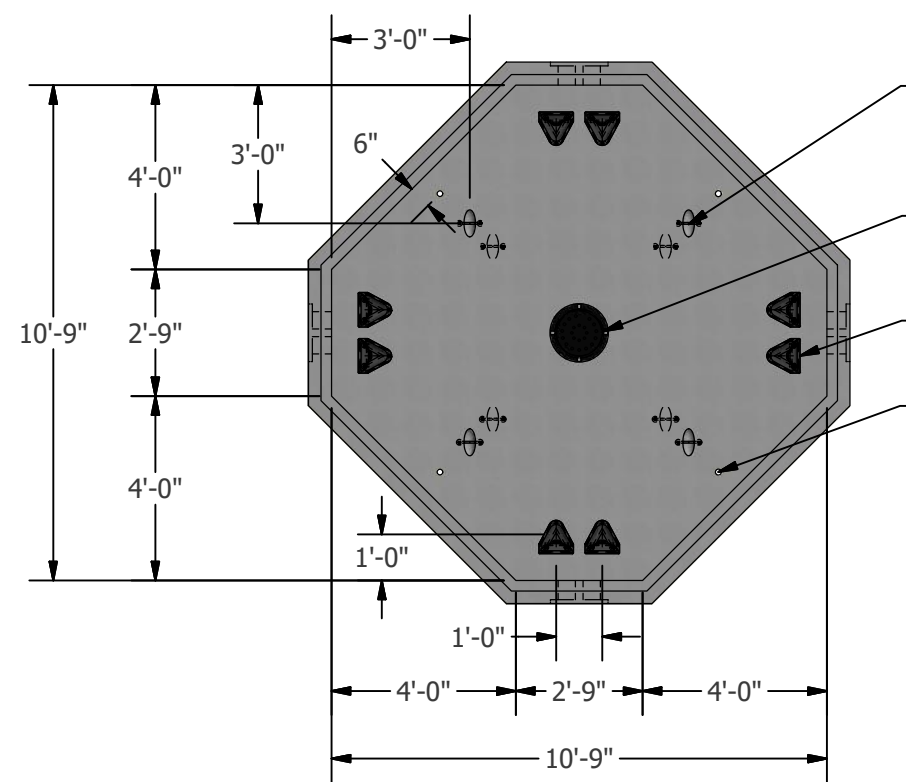


**(TOP SECTION)
PLAN VIEW**

(LUL818G) UTILITY ANCHOR
@ "90° TENSION" 13,000 LBS.
CAPACITY EA. (4 REQ'D)

35" DIA. CLEAR OPENING



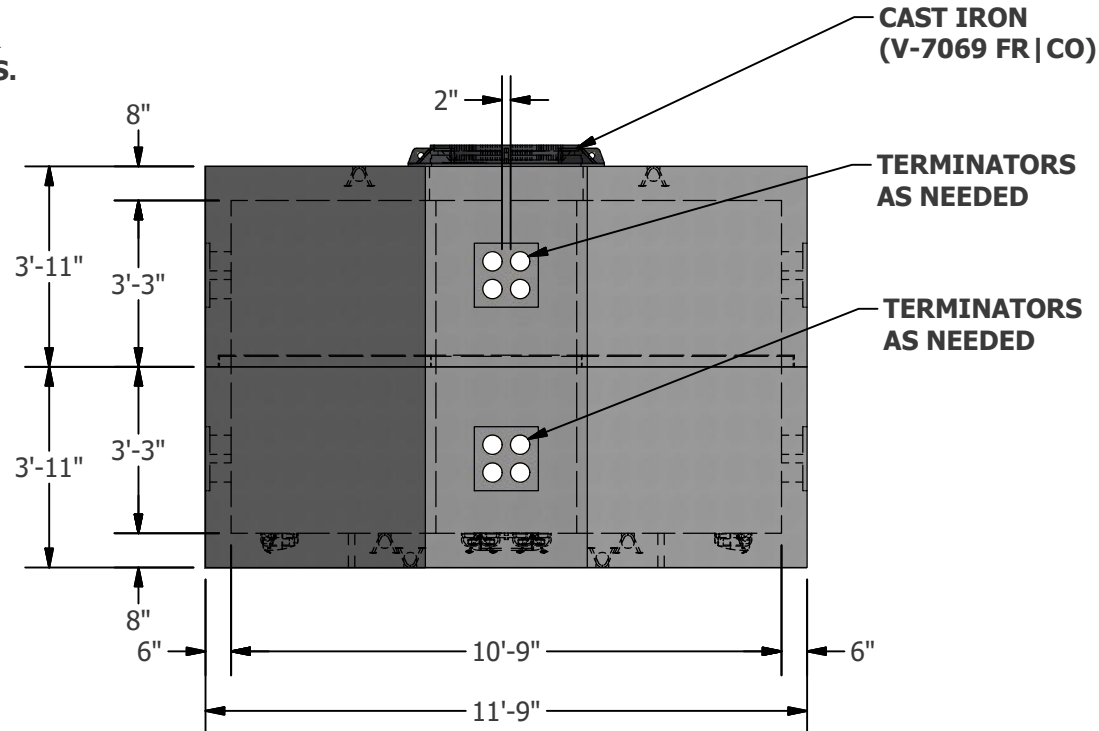
**(BASE SECTION)
PLAN VIEW**

(LUL818G) UTILITY ANCHOR
@ "90° TENSION" 13,000 LBS.
CAPACITY EA. (4 REQ'D)

12" DIA. PLASTIC SUMP
(CENTERED)

7/8" GALV.
PULLING IRONS

1 1/2" GROUND ROD HOLE

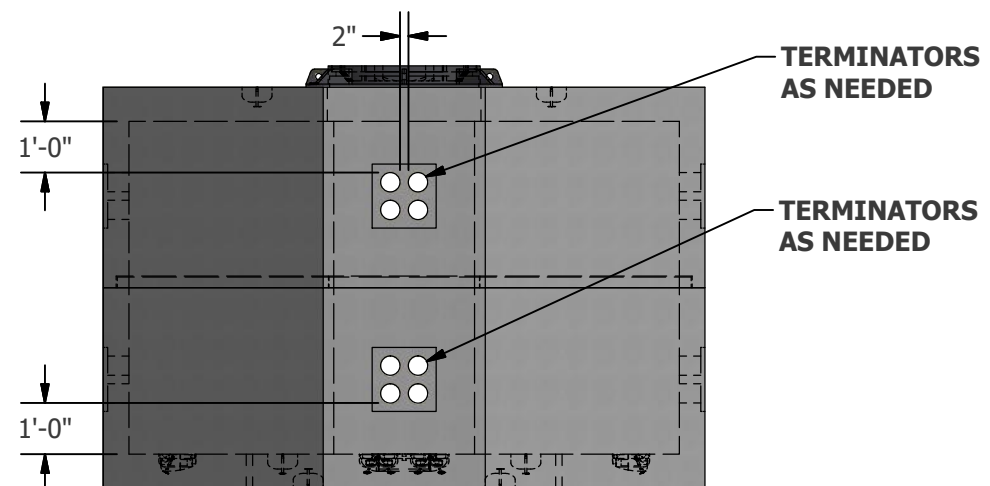


**(A|C)
ELEVATION VIEW**

CAST IRON
(V-7069 FR | CO)

TERMINATORS
AS NEEDED

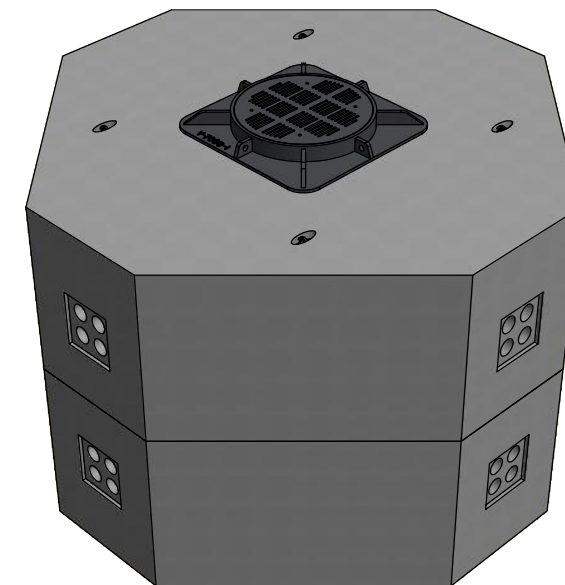
TERMINATORS
AS NEEDED



**(B|D)
ELEVATION VIEW**

TERMINATORS
AS NEEDED

TERMINATORS
AS NEEDED



NOTES:

- 1) DESIGN CRITERIA IS MINIMUM USED UNLESS OTHERWISE SPECIFIED.
- 2) DESIGN LOADINGS:
 - A. AASHTO HS-20-44. W/ IMPACT.
 - B. SOIL WEIGHT = 120 PSF.
 - C. DEPTH OF OVERBURDEN 0'-0" MIN, 7'-0" MAX.
 - D. ASSUMED WATER TABLE 5'-0"
 - E. EQUIV. FLUID PRESSURE = 45 PCF.
 - F. 80 PSF. LATERAL LIVE LOAD SURCHARGE.
- 3) CONCRETE 28 DAY COMPRESSIVE STRENGTH SHALL BE 5500 PSI (MIN.)
- 4) STEEL REINFORCEMENT: REBAR, ASTM A-615 GRADE 60.
- 5) CEMENT: ASTM C-150 SPECIFICATIONS

Section	CYD	Weight
Top Section	4.4	17,545 Lbs.
Base Section	4.7	18,810 Lbs.

DASHED LINES REPRESENT HIDDEN EDGES

DESCRIPTION
10'-9" x 10'-9" x 6'-6" Precast Concrete
SM-4 WAY | CENTERPOINT MANHOLE

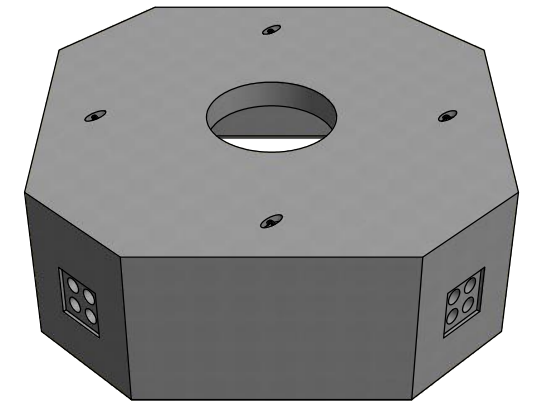
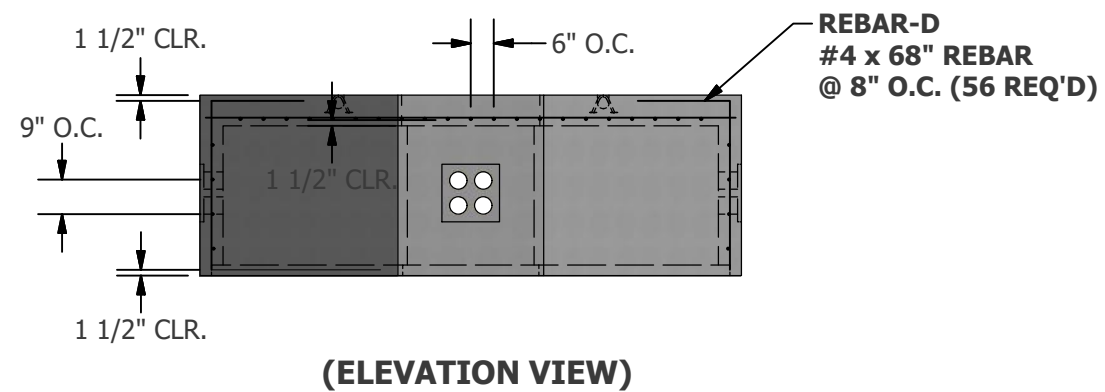
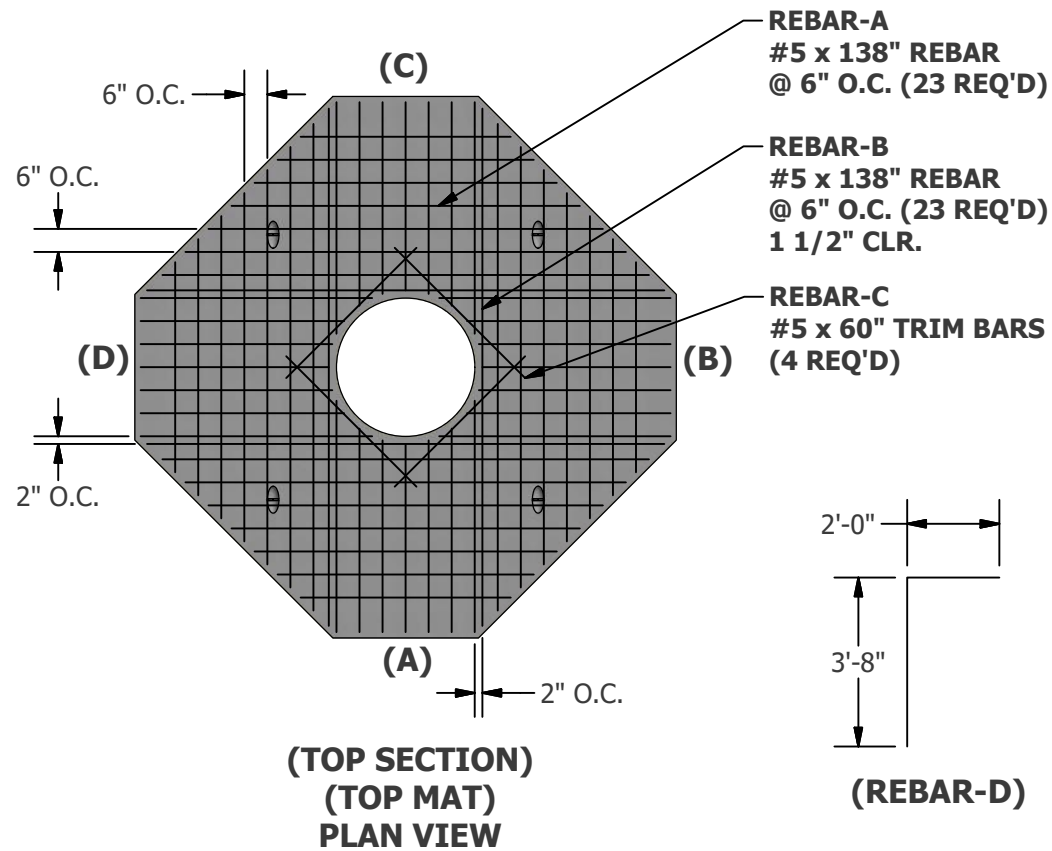
PROJECT

CUSTOMER



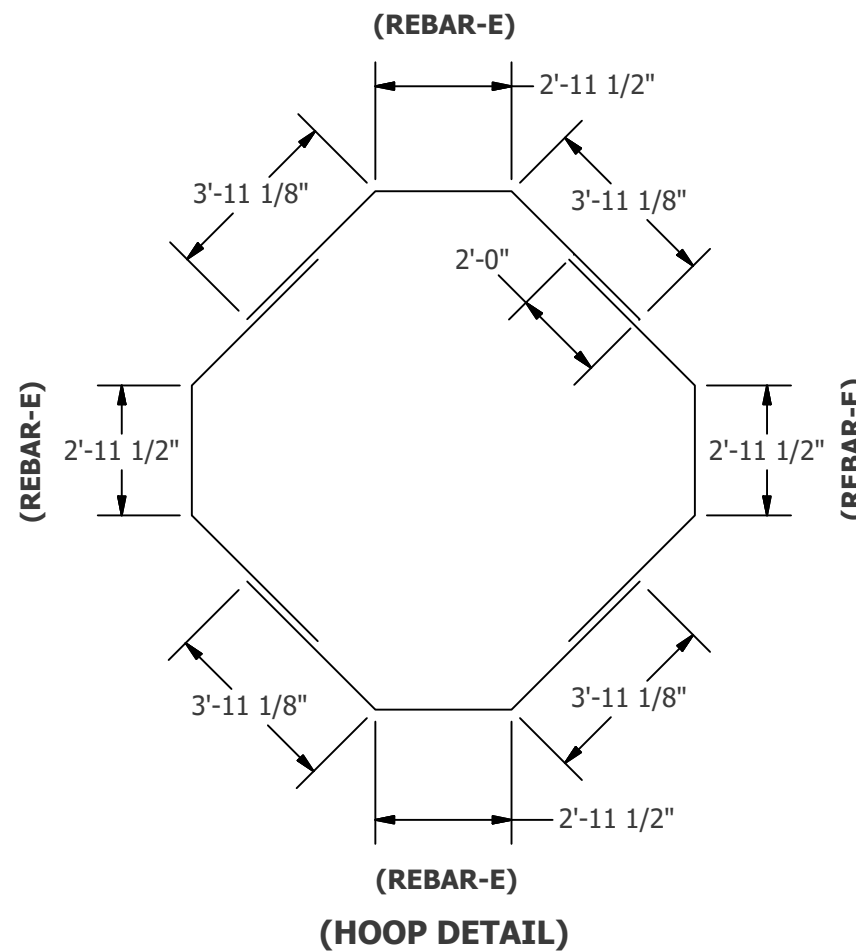
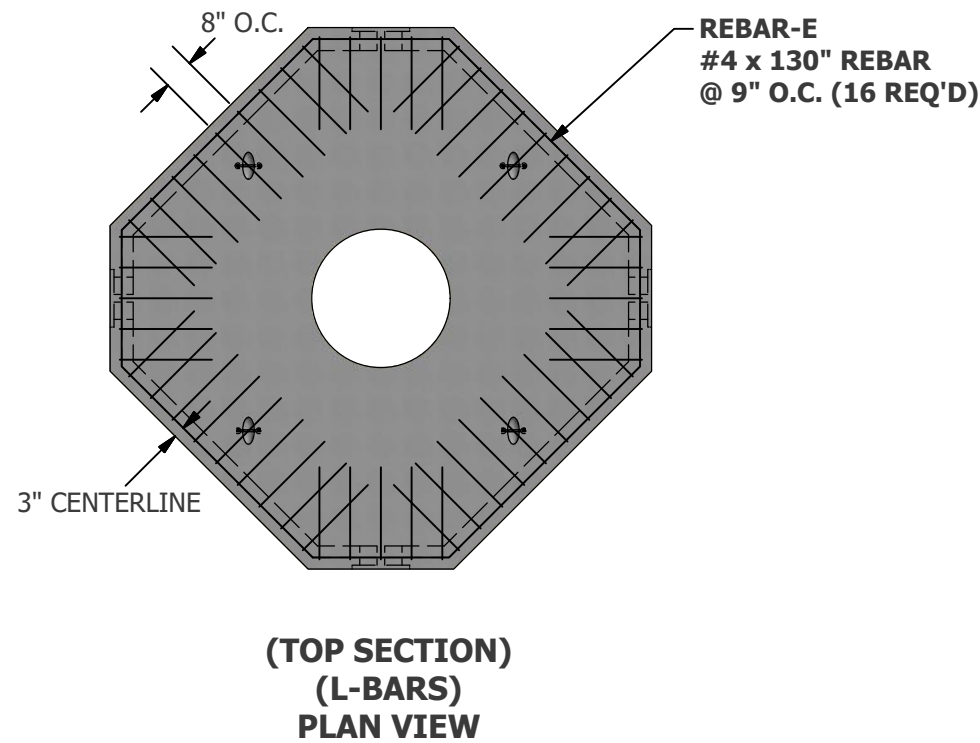
LIBERTY PRECAST
18905 E. Industrial Pkwy
New Caney, TX 77357

MODELED BY	DATE	REV	SHEET
Reydesel A.	5/7/2018	B	1 of 3




NOTES:

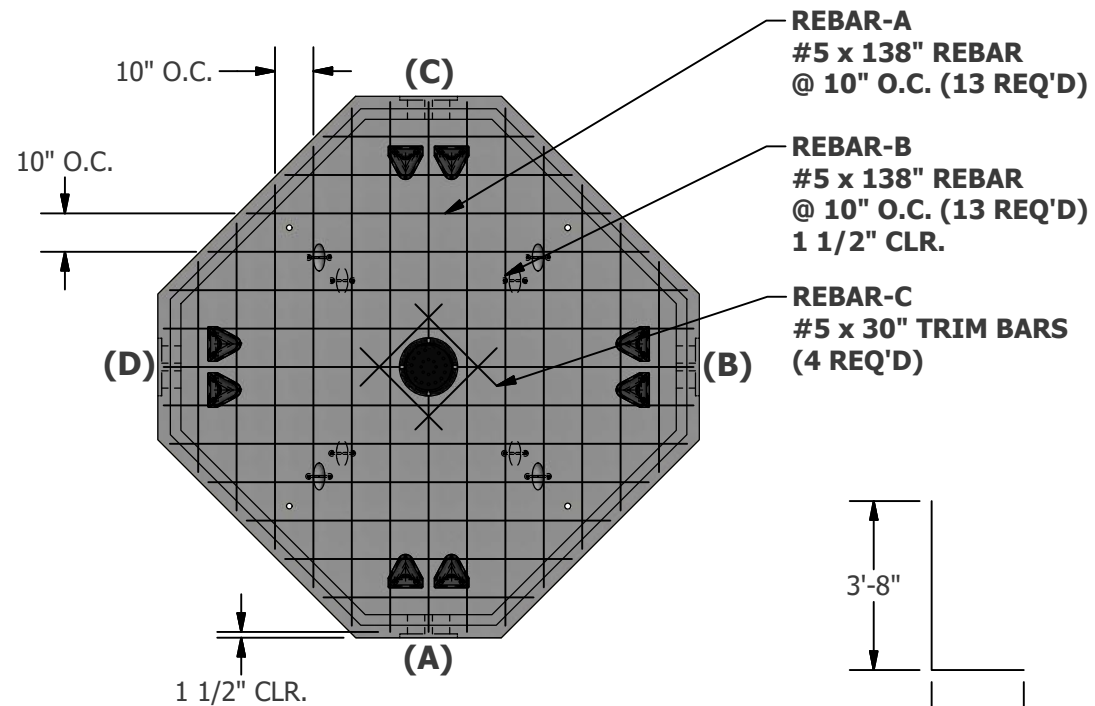
- 1) DESIGN CRITERIA IS MINIMUM USED UNLESS OTHERWISE SPECIFIED.
- 2) DESIGN LOADINGS:
 - A. AASHTO HS-20-44. W/ IMPACT.
 - B. SOIL WEIGHT = 120 PSF.
 - C. DEPTH OF OVERBURDEN 0'-0" MIN, 7'-0" MAX.
 - D. ASSUMED WATER TABLE 5'-0"
 - E. EQUIV. FLUID PRESSURE = 45 PCF.
 - F. 80 PSF. LATERAL LIVE LOAD SURCHARGE.
- 3) CONCRETE 28 DAY COMPRESSIVE STRENGTH SHALL BE 5500 PSI (MIN.)
- 4) STEEL REINFORCEMENT: REBAR, ASTM A-615 GRADE 60.
- 5) CEMENT: ASTM C-150 SPECIFICATIONS



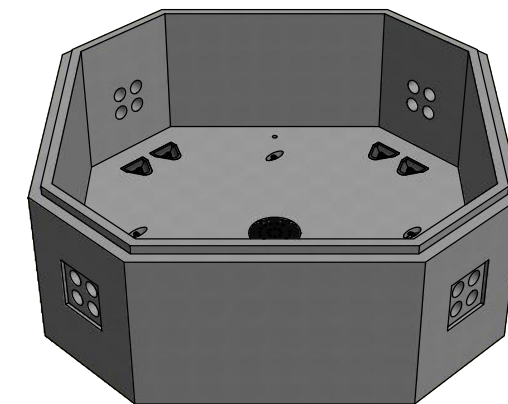
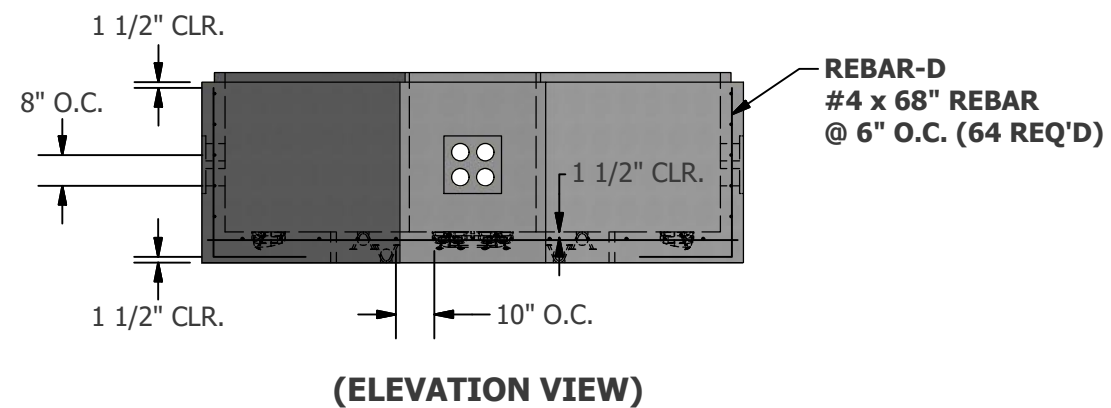
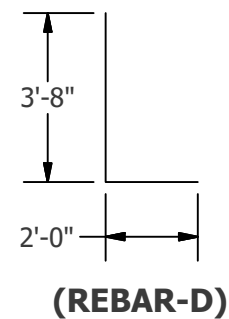
Section	#	Weight
Top Section	4	328.0 Lbs.
	5	573.0 Lbs.

DASHED LINES REPRESENT HIDDEN EDGES

DESCRIPTION			
10'-9" x 10'-9" x 6'-6" Precast Concrete SM-4 WAY CENTERPOINT MANHOLE			
PROJECT			
CUSTOMER			
		LIBERTY PRECAST	
18905 E. Industrial Pkwy New Caney, TX 77357			
MODELED BY	DATE	REV	SHEET
Reydesel A.	5/7/2018	B	2 of 3

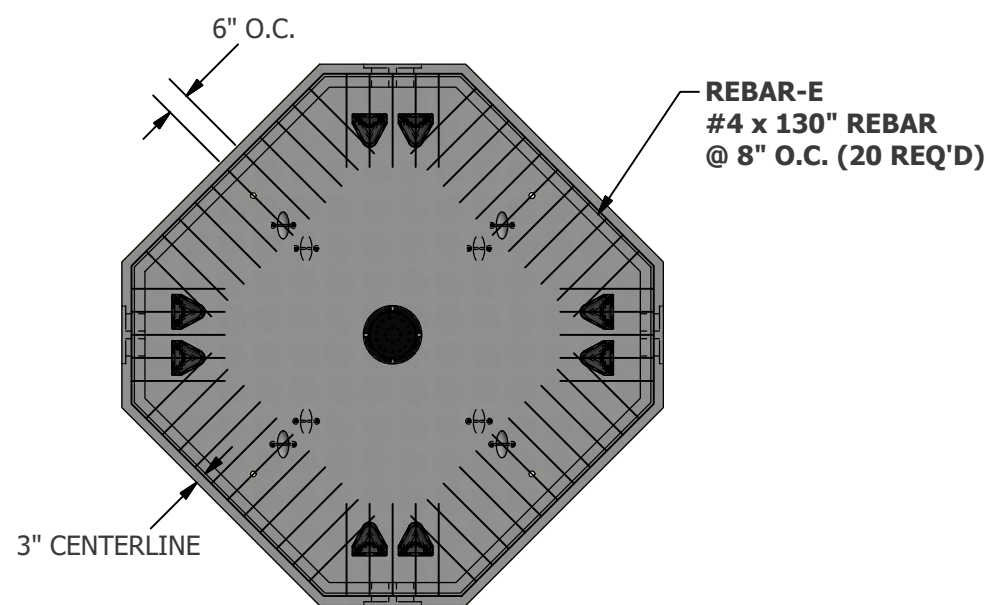


**(BASE SECTION)
(TOP MAT)
PLAN VIEW**

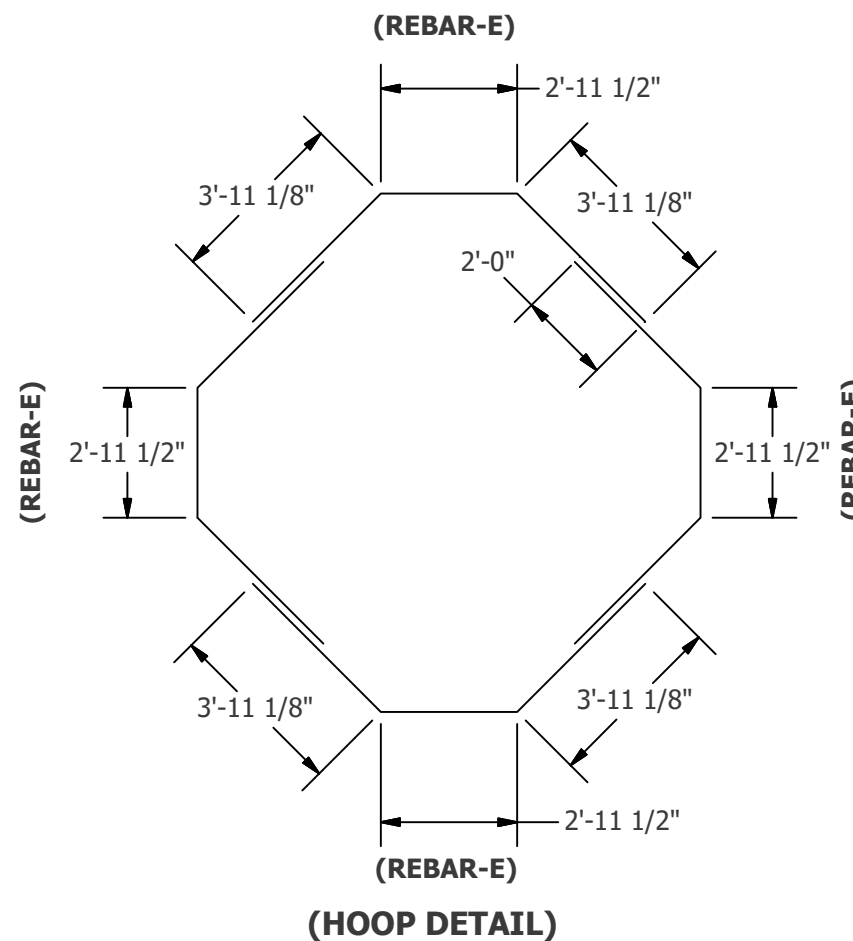


NOTES:

- 1) DESIGN CRITERIA IS MINIMUM USED UNLESS OTHERWISE SPECIFIED.
- 2) DESIGN LOADINGS:
 - A. AASHTO HS-20-44. W/ IMPACT.
 - B. SOIL WEIGHT = 120 PSF.
 - C. DEPTH OF OVERBURDEN 0'-0" MIN, 7'-0" MAX.
 - D. ASSUMED WATER TABLE 5'-0"
 - E. EQUIV. FLUID PRESSURE = 45 PCF.
 - F. 80 PSF. LATERAL LIVE LOAD SURCHARGE.
- 3) CONCRETE 28 DAY COMPRESSIVE STRENGTH SHALL BE 5500 PSI (MIN.)
- 4) STEEL REINFORCEMENT: REBAR, ASTM A-615 GRADE 60.
- 5) CEMENT: ASTM C-150 SPECIFICATIONS



**(BASE SECTION)
(L-BARS)
PLAN VIEW**



Section	#	Weight
Base Section	4	386.0 Lbs.
	5	323.0 Lbs.

DASHED LINES REPRESENT HIDDEN EDGES

DESCRIPTION
10'-9" x 10'-9" x 6'-6" Precast Concrete SM-4 WAY | CENTERPOINT MANHOLE

PROJECT

CUSTOMER



LIBERTY PRECAST
18905 E. Industrial Pkwy
New Caney, TX 77357

MODELED BY	DATE	REV	SHEET
Reydesel A.	5/7/2018	B	3 of 3