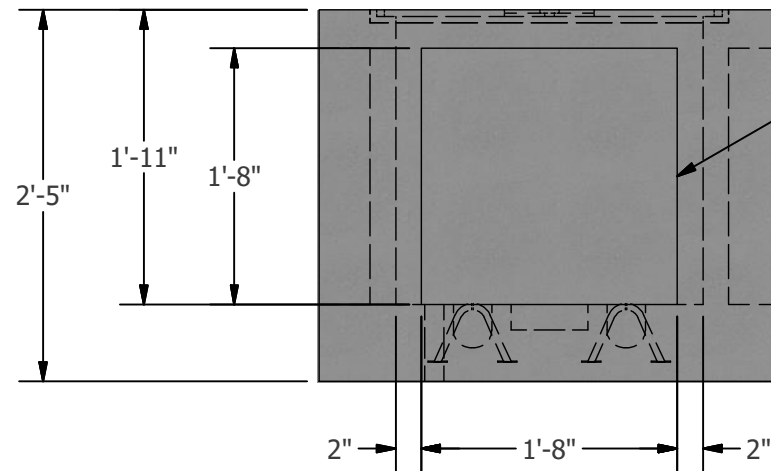
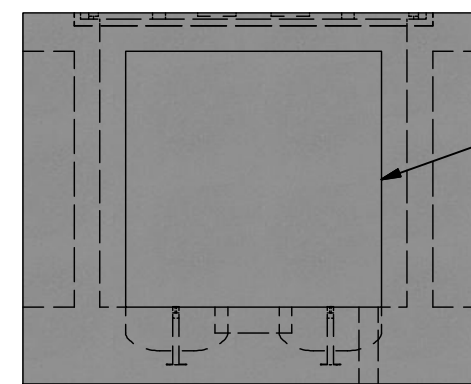
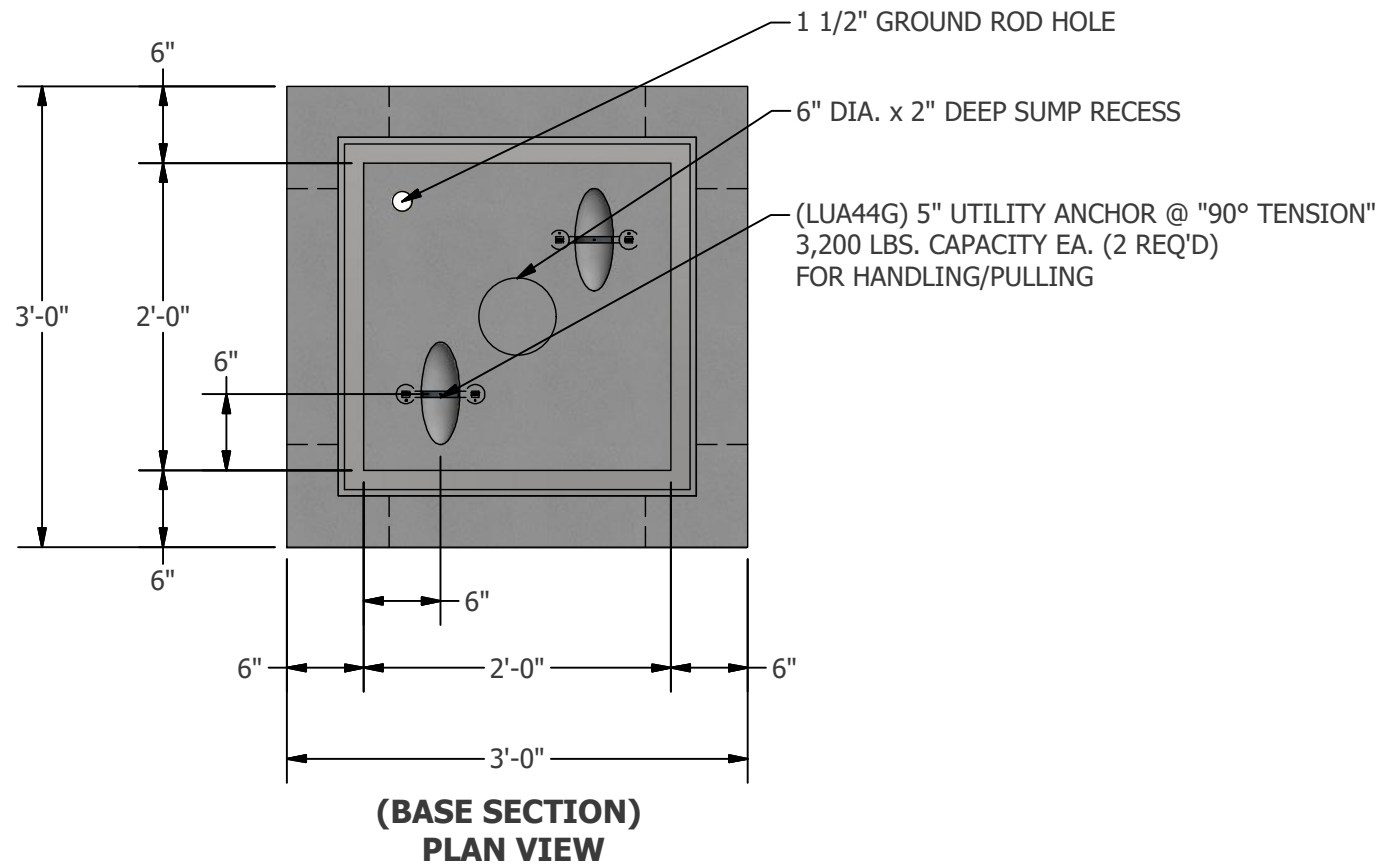
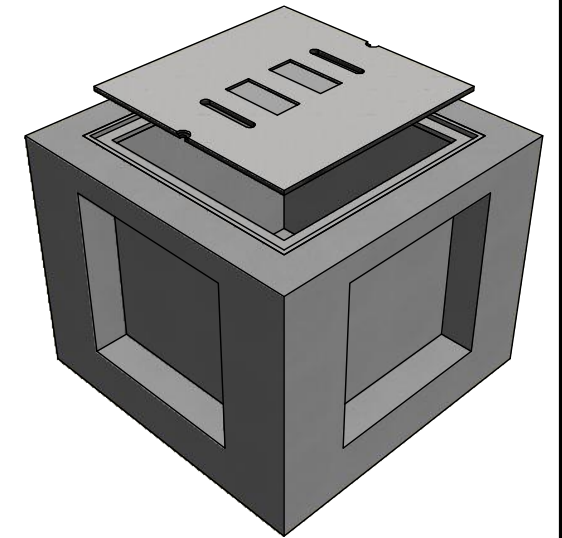


HS-20 FRAME & COVERS "DRAG OFF"
GALV. DIAMOND PLATE FINISH



**(A/C)
ELEVATION VIEW**



**(B/D)
ELEVATION VIEW**

NOTES:

Design Load: **HS-20** (ASTM C857)
Overburden Depth: **Min 0.0' and Max 3.0'**
Concrete: 28 Day Compressive Strength =>
4,500 PSI
Rebar: **Grade 60** (ASTM A-615)
Wire Mesh Equiv.: **Grade 80** (ASTM A-185)

Section	CYD	Weight
Base Section	0.4	1,540 Lbs.

DASHED LINES REPRESENT HIDDEN EDGES

DESCRIPTION
2'-0"x2'-0"x2'-0" Precast Concrete ELECTRICAL PULLBOX

PROJECT

CUSTOMER

	LIBERTY PRECAST 18905 E. Industrial Pkwy New Caney, TX 77357
---	--

MODELED BY	DATE	REV	SHEET
Reydesel A.	3/24/2018	A	1 of 1