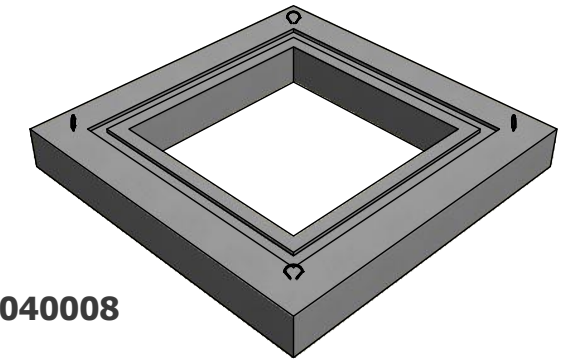


ITEM#10-01040008



NOTES:

Design Load: **HS-20** (ASTM C857)
 Overburden Depth: **Min 0.0' and Max 3.0'**
 Concrete: 28 Day Compressive Strength =>
4,500 PSI
 Rebar: **Grade 60** (ASTM A-615)
 Wire Mesh Equiv.: **Grade 80** (ASTM A-185)

Section	CYD	Weight
A-Trans.	0.2	700.0 Lbs.

Made in U.S.A

DASHED LINES REPRESENT HIDDEN EDGES

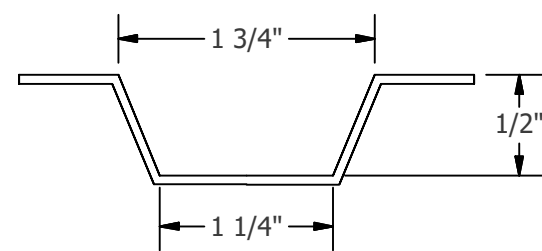
DESCRIPTION
3'-0" X 3'-0" X 6" Precast Concrete TRANSITION-A

PROJECT

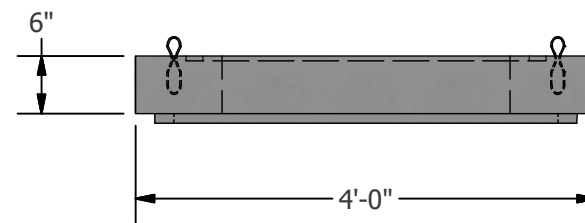
CUSTOMER

BUCKNER PRECAST
BUCKNER 18905 E. Industrial Pkwy
 PRECAST New Caney, TX 77357

MODELED BY	DATE	REV	SHEET
Reydesel A.	5/31/2018	A	1 of 1



KEYWAY DETAIL



(ELEVATION VIEW)