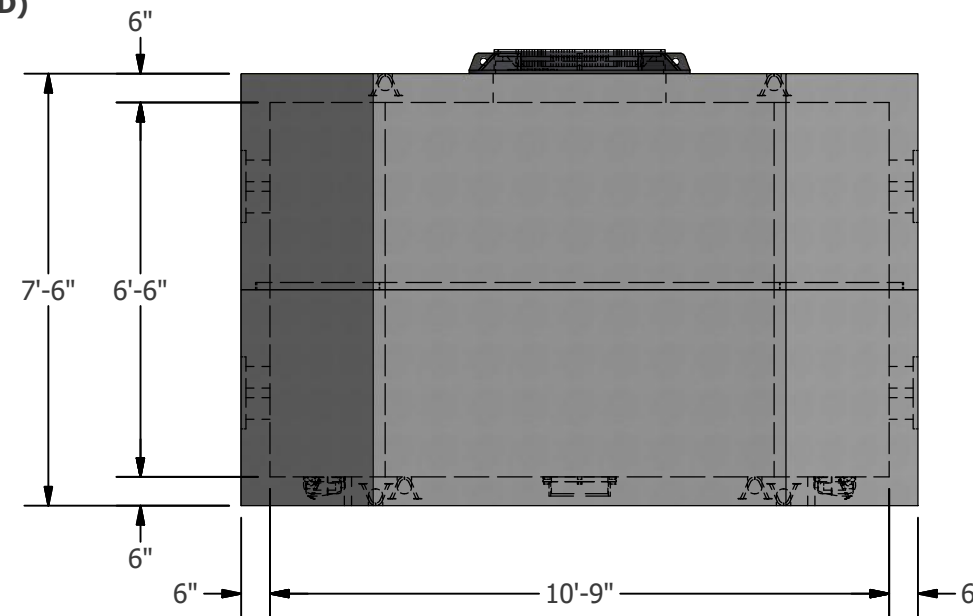
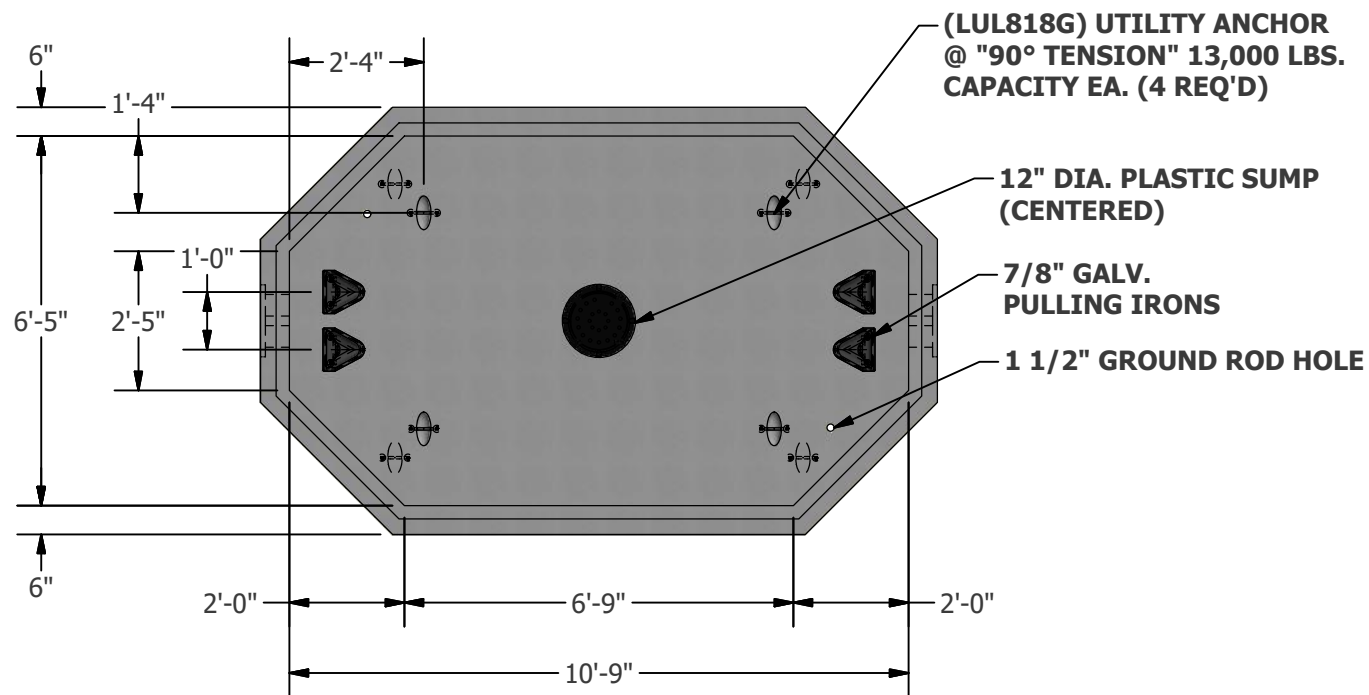


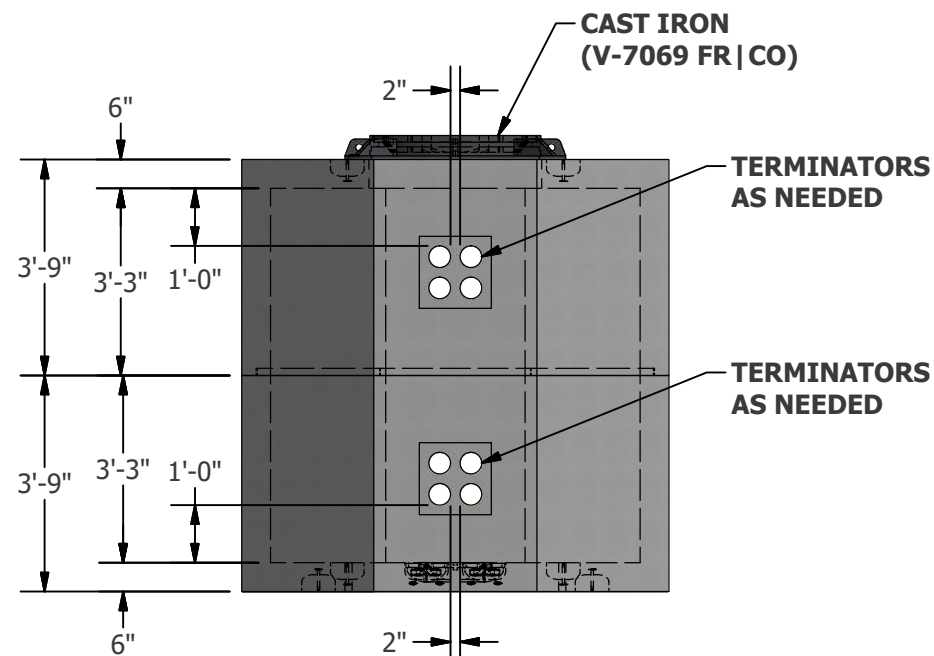
**(TOP SECTION)
PLAN VIEW**



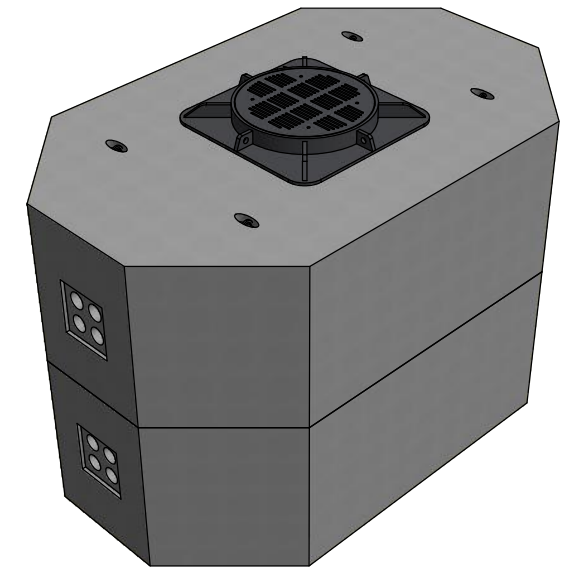
**(A|C)
ELEVATION VIEW**



**(BASE SECTION)
PLAN VIEW**



**(B|D)
ELEVATION VIEW**



NOTES:

- 1) DESIGN CRITERIA IS MINIMUM USED UNLESS OTHERWISE SPECIFIED.
- 2) DESIGN LOADINGS:
 - A. AASHTO HS-20-44. W/ IMPACT.
 - B. SOIL WEIGHT = 120 PSF.
 - C. DEPTH OF OVERBURDEN 0'-0" MIN, 7'-0" MAX.
 - D. ASSUMED WATER TABLE 5'-0"
 - E. EQUIV. FLUID PRESSURE = 45 PCF.
 - F. 80 PSF. LATERAL LIVE LOAD SURCHARGE.
- 3) CONCRETE 28 DAY COMPRESSIVE STRENGTH SHALL BE 6000 PSI (MIN.)
- 4) STEEL REINFORCEMENT: REBAR, ASTM A-615 GRADE 60.
- 5) CEMENT: ASTM C-150 SPECIFICATIONS

Section	CYD	Weight
Top Section	3.2	12,620 Lbs.
Base Section	3.3	13,340 Lbs.

DASHED LINES REPRESENT HIDDEN EDGES

DESCRIPTION
7'-5" x 10'-9" x 6'-6" Precast Concrete SM-2 WAY CENTERPOINT MANHOLE

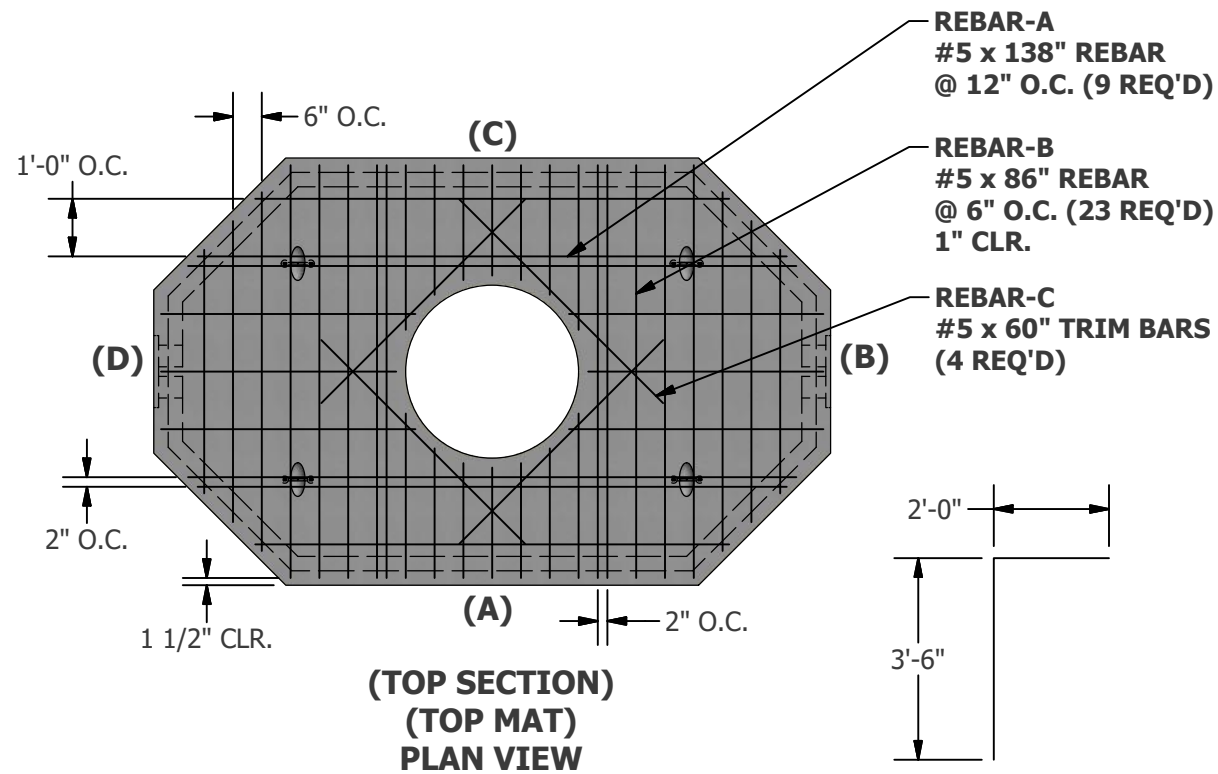
PROJECT

CUSTOMER



LIBERTY PRECAST
18905 E. Industrial Pkwy
New Caney, TX 77357

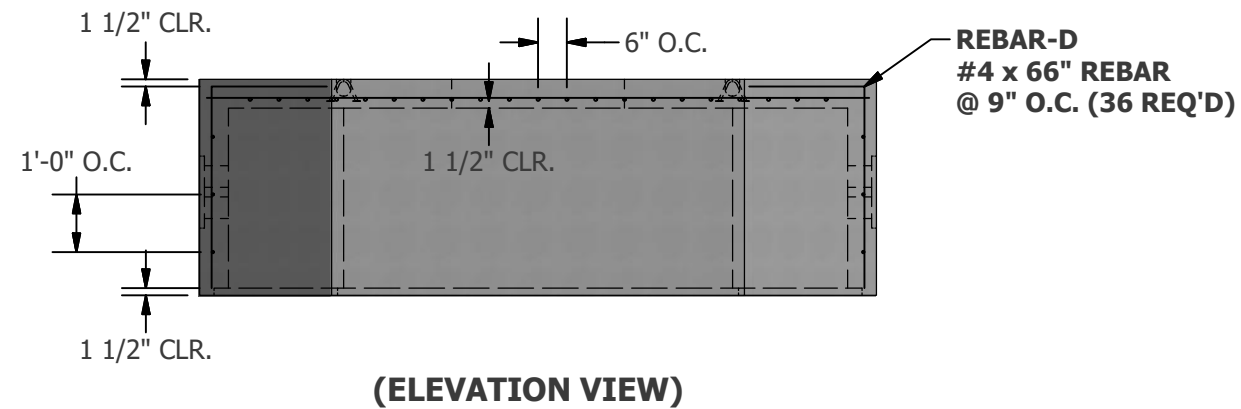
MODELED BY	DATE	REV	SHEET
Reydesel A.	4/16/2018	A	1 of 3



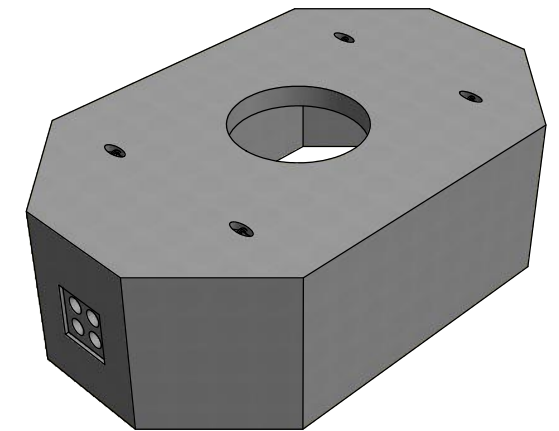
REBAR-A
#5 x 138" REBAR
@ 12" O.C. (9 REQ'D)

REBAR-B
#5 x 86" REBAR
@ 6" O.C. (23 REQ'D)
1" CLR.

REBAR-C
#5 x 60" TRIM BARS
(4 REQ'D)



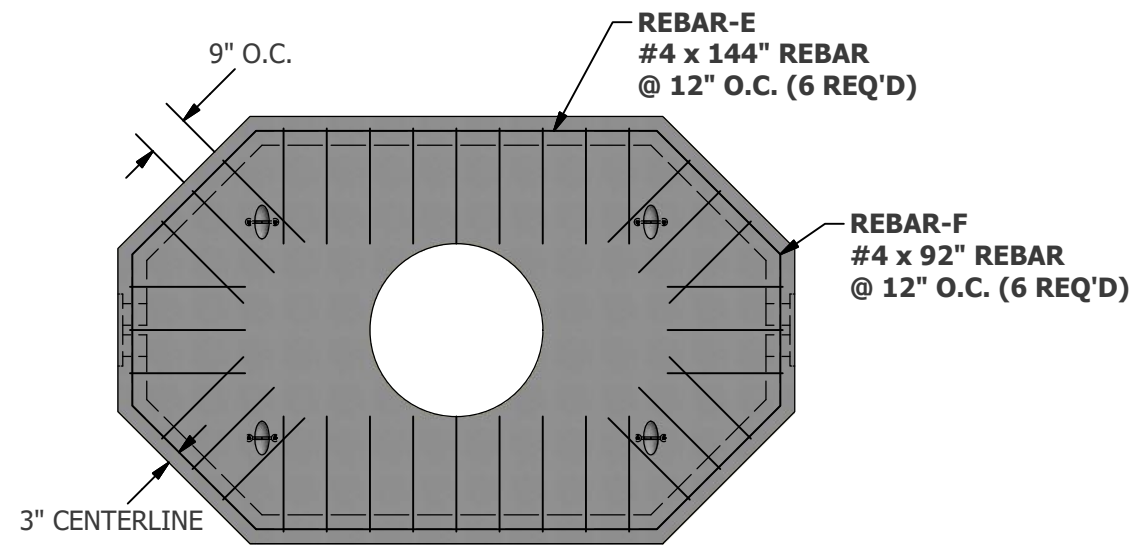
REBAR-D
#4 x 66" REBAR
@ 9" O.C. (36 REQ'D)



NOTES:

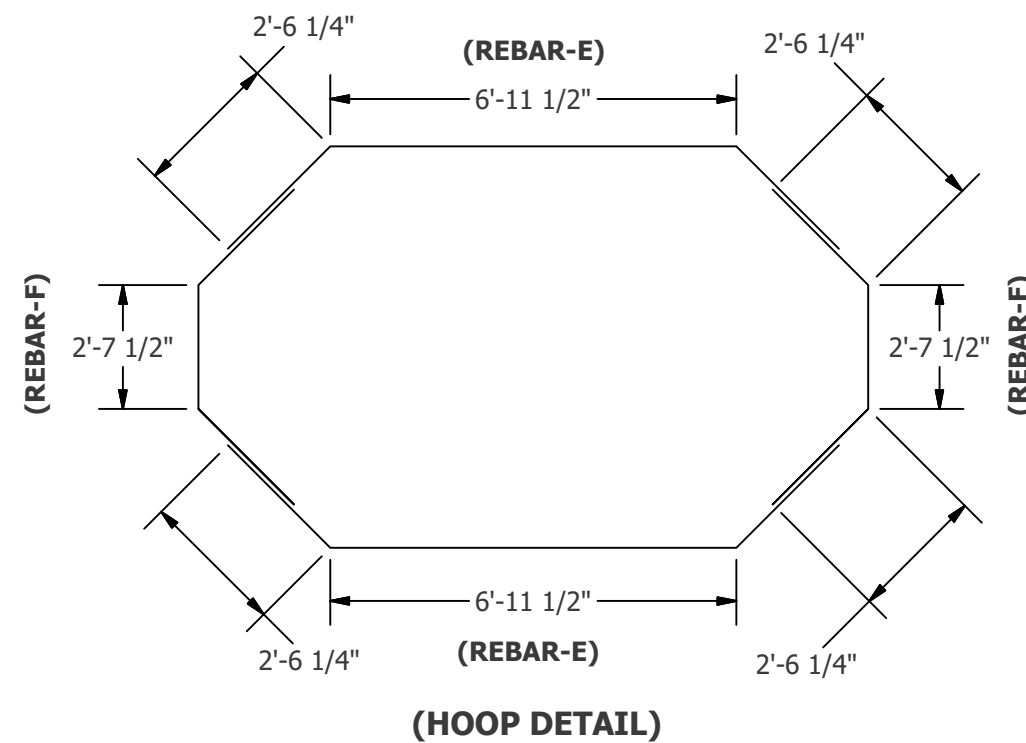
- 1) DESIGN CRITERIA IS MINIMUM USED UNLESS OTHERWISE SPECIFIED.
- 2) DESIGN LOADINGS:
 - A. AASHTO HS-20-44. W/ IMPACT.
 - B. SOIL WEIGHT = 120 PSF.
 - C. DEPTH OF OVERBURDEN 0'-0" MIN, 7'-0" MAX.
 - D. ASSUMED WATER TABLE 5'-0"
 - E. EQUIV. FLUID PRESSURE = 45 PCF.
 - F. 80 PSF. LATERAL LIVE LOAD SURCHARGE.
- 3) CONCRETE 28 DAY COMPRESSIVE STRENGTH SHALL BE 5500 PSI (MIN.)
- 4) STEEL REINFORCEMENT: REBAR, ASTM A-615 GRADE 60.
- 5) CEMENT: ASTM C-150 SPECIFICATIONS

(REBAR-D)



REBAR-E
#4 x 144" REBAR
@ 12" O.C. (6 REQ'D)

REBAR-F
#4 x 92" REBAR
@ 12" O.C. (6 REQ'D)



Section	#	Weight
Top Section	4	213.0 Lbs.
	5	301.0 Lbs.

DASHED LINES REPRESENT HIDDEN EDGES

DESCRIPTION
7'-5" x 10'-9" x 6'-6" Precast Concrete
SM-2 WAY | CENTERPOINT MANHOLE

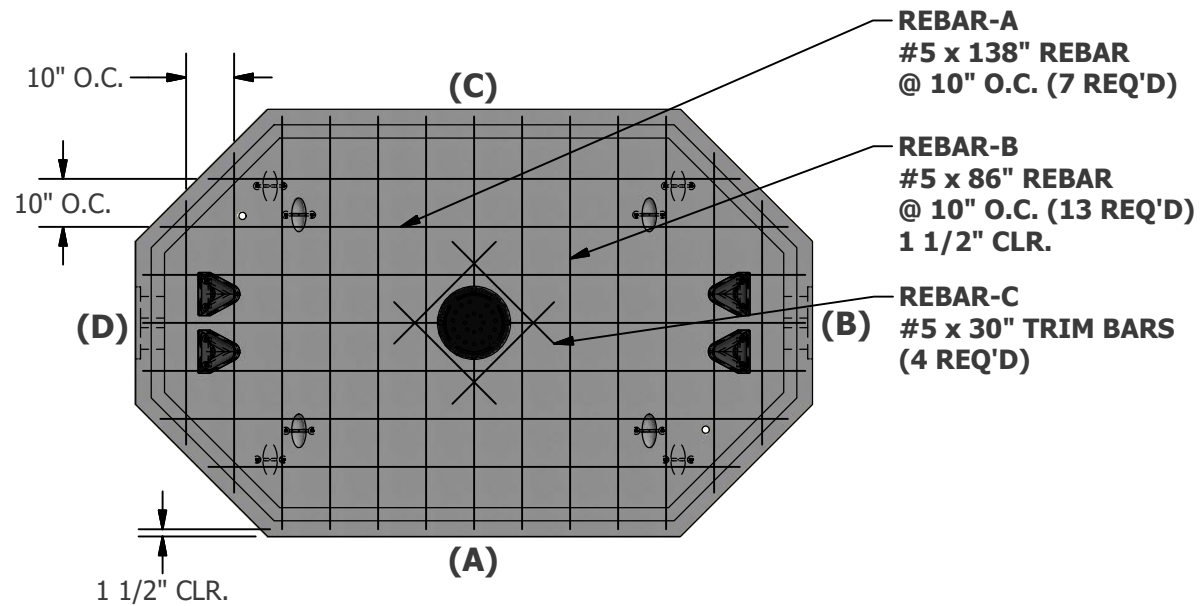
PROJECT

CUSTOMER



LIBERTY PRECAST
18905 E. Industrial Pkwy
New Caney, TX 77357

MODELED BY	DATE	REV	SHEET
Reydesel A.	4/16/2018	A	2 of 3

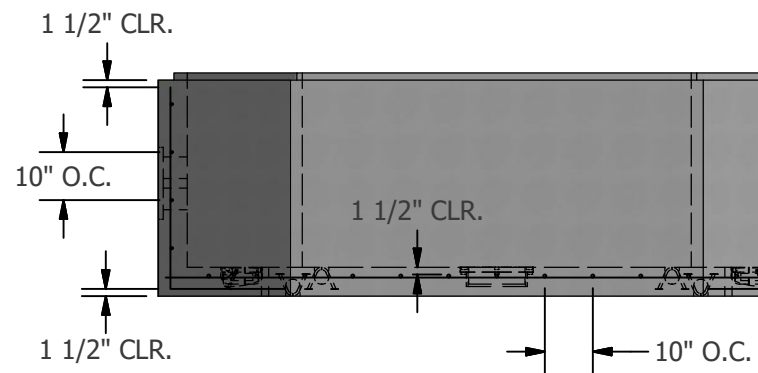


**(BASE SECTION)
(TOP MAT)
PLAN VIEW**

REBAR-A
#5 x 138" REBAR
@ 10" O.C. (7 REQ'D)

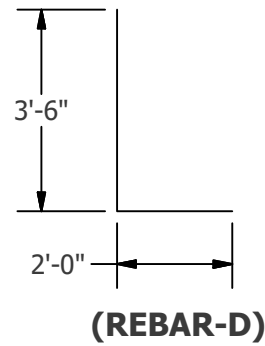
REBAR-B
#5 x 86" REBAR
@ 10" O.C. (13 REQ'D)
1 1/2" CLR.

REBAR-C
#5 x 30" TRIM BARS
(4 REQ'D)

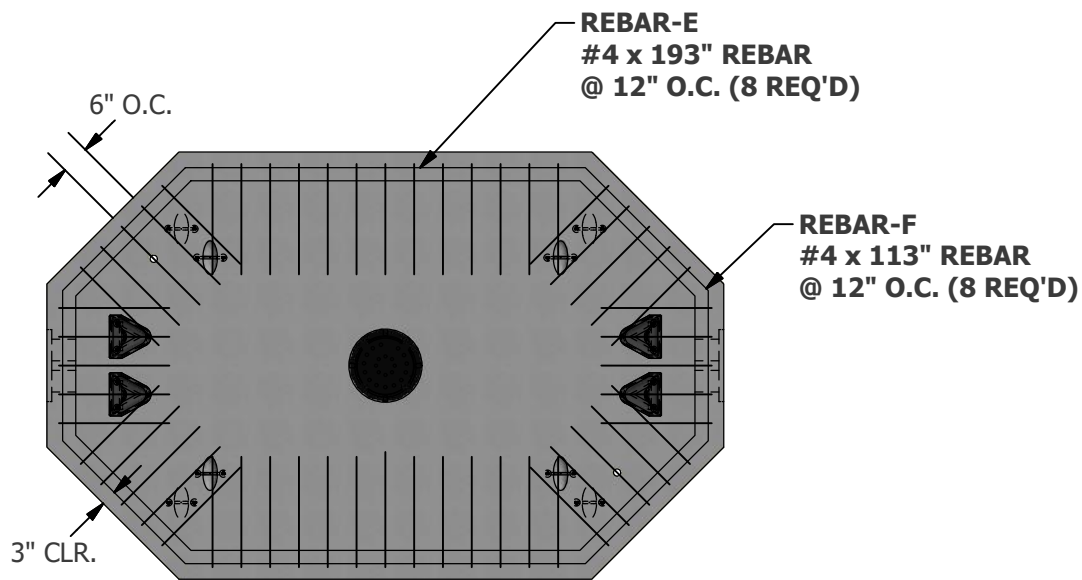


(ELEVATION VIEW)

REBAR-D
#4 x 68" REBAR
@ 6" O.C. (56 REQ'D)



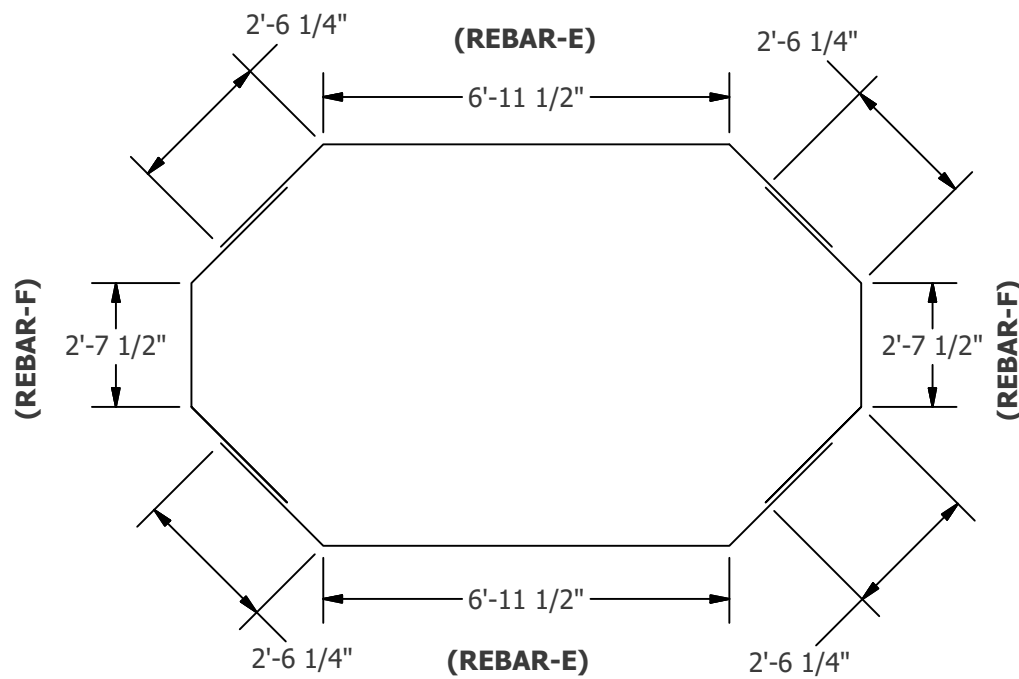
(REBAR-D)



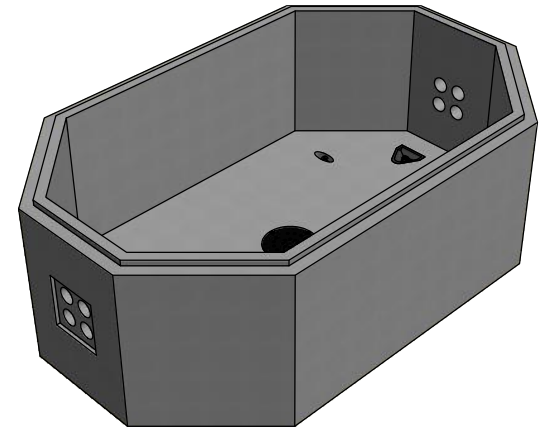
**(BASE SECTION)
(L-BARS)
PLAN VIEW**

REBAR-E
#4 x 193" REBAR
@ 12" O.C. (8 REQ'D)

REBAR-F
#4 x 113" REBAR
@ 12" O.C. (8 REQ'D)



(HOOP DETAIL)



NOTES:

- 1) DESIGN CRITERIA IS MINIMUM USED UNLESS OTHERWISE SPECIFIED.
- 2) DESIGN LOADINGS:
 - A. AASHTO HS-20-44. W/ IMPACT.
 - B. SOIL WEIGHT = 120 PSF.
 - C. DEPTH OF OVERBURDEN 0'-0" MIN, 7'-0" MAX.
 - D. ASSUMED WATER TABLE 5'-0"
 - E. EQUIV. FLUID PRESSURE = 45 PCF.
 - F. 80 PSF. LATERAL LIVE LOAD SURCHARGE.
- 3) CONCRETE 28 DAY COMPRESSIVE STRENGTH SHALL BE 5500 PSI (MIN.)
- 4) STEEL REINFORCEMENT: REBAR, ASTM A-615 GRADE 60.
- 5) CEMENT: ASTM C-150 SPECIFICATIONS

Section	#	Weight
Base Section	4	343.0 Lbs.
	5	193.0 Lbs.

DASHED LINES REPRESENT HIDDEN EDGES

DESCRIPTION
7'-5" x 10'-9" x 6'-6" Precast Concrete SM-2 WAY | CENTERPOINT MANHOLE

PROJECT

CUSTOMER



LIBERTY PRECAST
18905 E. Industrial Pkwy
New Caney, TX 77357

MODELED BY	DATE	REV	SHEET
Reydesel A.	4/16/2018	A	3 of 3